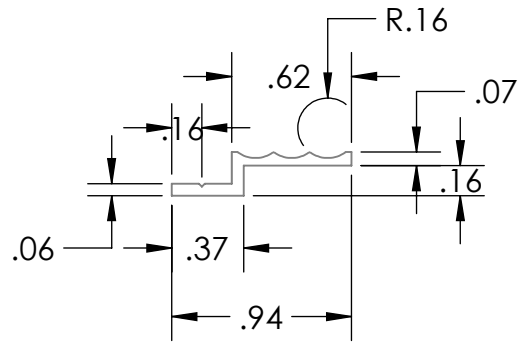


2

1

B

B



A

A

PROPRIETARY AND CONFIDENTIAL THE INFORMATION CONTAINED IN THIS DRAWING IS THE SOLE PROPERTY OF EXCELLART SIGN PRODUCTS, LLC. ANY REPRODUCTION IN PART OR AS A WHOLE WITHOUT THE WRITTEN PERMISSION OF <INSERT COMPANY NAME HERE> IS PROHIBITED.	EST. WT/FT	.077	UNLESS OTHERWISE SPECIFIED:	NAME	DATE	P/N: 1280151		
			DIMENSIONS ARE IN INCHES TOLERANCES: FRACTIONAL ± ANGULAR: MACH ± BEND ± TWO PLACE DECIMAL ± THREE PLACE DECIMAL ±	DRAWN		TITLE:		
			INTERPRET GEOMETRIC TOLERANCING PER:	CHECKED		EXCELLART SIGN PRODUCTS, LLC		
	NEXT ASSY	USED ON	MATERIAL 6063-T6 ALUMINUM	ENG APPR.		SIZE	DWG. NO.	REV
	APPLICATION		FINISH MILL FINISH	MFG APPR.		A MC ALT RETAINER		
		DO NOT SCALE DRAWING	Q.A.		SCALE: 2:1	SHEET 1 OF 1		
			COMMENTS:					

2

1