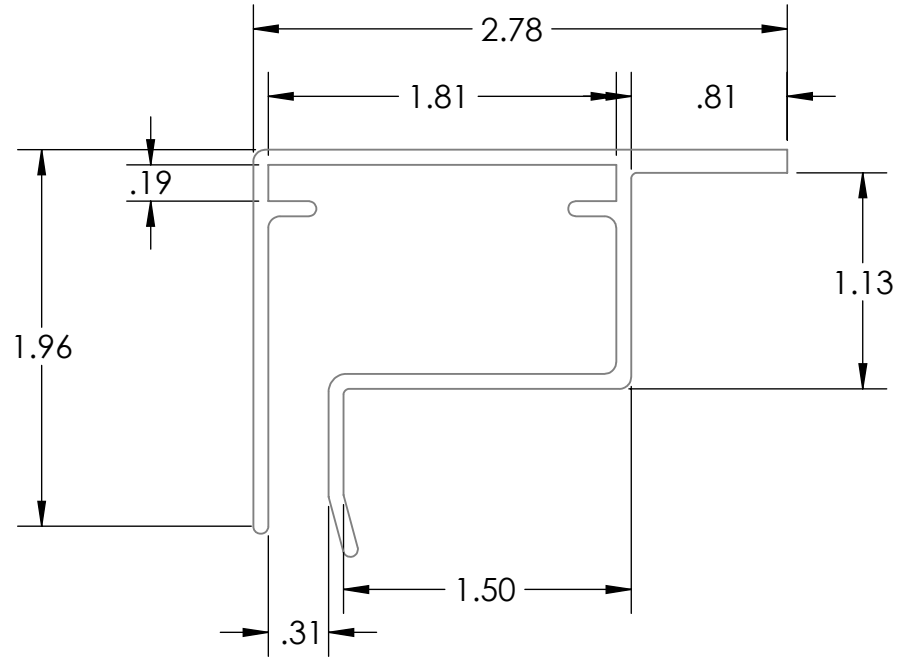


2

1

B

B



MATES WITH:

- 1280126 - EC-6 FRAME
- 1280114 - EC-9 FRAME
- 1280505 - EC-S/F STANDARD FRAME
- 1281420 - EC-D/F STANDARD FRAME
- 1280296 - EC-12 STANDARD FRAME
- 1280610 - EC-EXPANDA FRAME
- 1280307 - GUSSET

A

A

EST. WT/FT	.846	UNLESS OTHERWISE SPECIFIED:	NAME	DATE
		DIMENSIONS ARE IN INCHES	DRAWN	
		TOLERANCES:	CHECKED	
		FRACTIONAL ±	ENG APPR.	
		ANGULAR: MACH ± BEND ±	MFG APPR.	
		TWO PLACE DECIMAL ±	Q.A.	
		THREE PLACE DECIMAL ±	COMMENTS:	
		INTERPRET GEOMETRIC TOLERANCING PER:		
		MATERIAL		
		6063-T6 ALUMINUM		
NEXT ASSY	USED ON	FINISH		
		MILL FINISH		
APPLICATION		DO NOT SCALE DRAWING		

P/N: 1280295

TITLE:

EXCELLART
SIGN PRODUCTS, LLC

SIZE	DWG. NO.	REV
A	FF-2 STD RETAINER	

SCALE: 1:1	SHEET 1 OF 1
------------	--------------

PROPRIETARY AND CONFIDENTIAL
THE INFORMATION CONTAINED IN THIS DRAWING IS THE SOLE PROPERTY OF EXCELLART SIGN PRODUCTS, LLC. ANY REPRODUCTION IN PART OR AS A WHOLE WITHOUT THE WRITTEN PERMISSION OF <INSERT COMPANY NAME HERE> IS PROHIBITED.

2

1