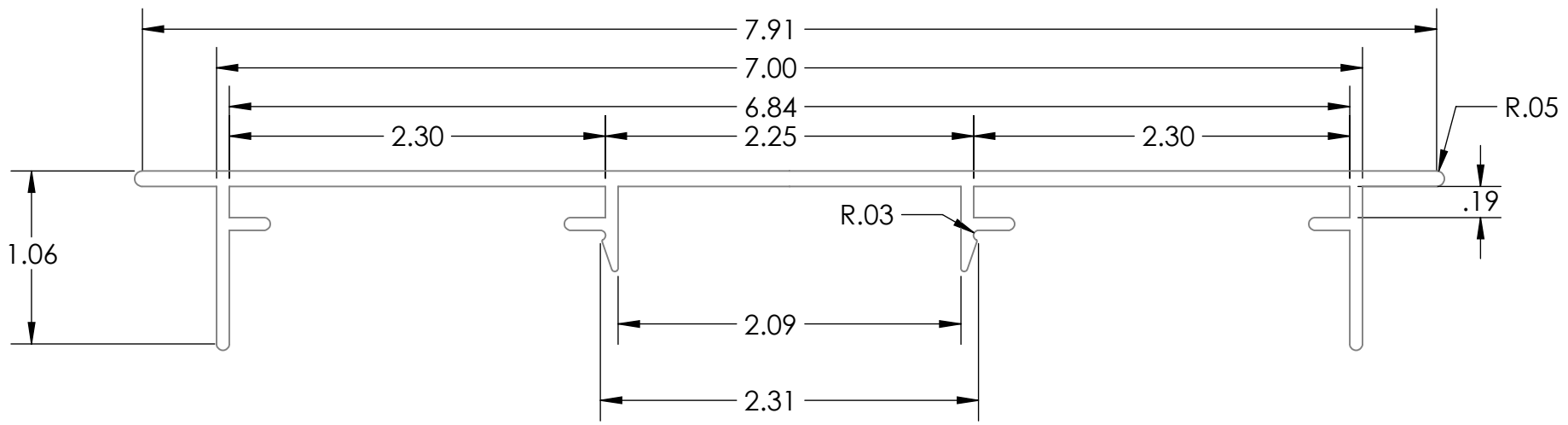


2 1

B

B



- MATES WITH:
- 1280905 - EC-IDS RACEWAY - 8"
  - 1280906 - EC-IDS RETAINER
  - 1280903 - CORNER ANGLE

A

A

PROPRIETARY AND CONFIDENTIAL  
 THE INFORMATION CONTAINED IN THIS  
 DRAWING IS THE SOLE PROPERTY OF  
 EXCELLART SIGN PRODUCTS, LLC. ANY  
 REPRODUCTION IN PART OR AS A WHOLE  
 WITHOUT THE WRITTEN PERMISSION OF  
 <INSERT COMPANY NAME HERE> IS  
 PROHIBITED.

EST. WT/FT	1.268	UNLESS OTHERWISE SPECIFIED:	NAME	DATE
		DIMENSIONS ARE IN INCHES	DRAWN	
		TOLERANCES:	CHECKED	
		FRACTIONAL ±	ENG APPR.	
		ANGULAR: MACH ± BEND ±	MFG APPR.	
		TWO PLACE DECIMAL ±	Q.A.	
		THREE PLACE DECIMAL ±	COMMENTS:	
		INTERPRET GEOMETRIC TOLERANCING PER:		
		MATERIAL		
		6063-T6 ALUMINUM		
NEXT ASSY	USED ON	FINISH		
		MILL FINISH		
APPLICATION		DO NOT SCALE DRAWING		

P/N: 1280901		
TITLE:		
<b>EXCELLART</b>		
SIGN PRODUCTS, LLC		
SIZE	DWG. NO.	REV
<b>EC-IDS 8 FRAME</b>		
SCALE: 1:4	SHEET 1 OF 1	

2

1