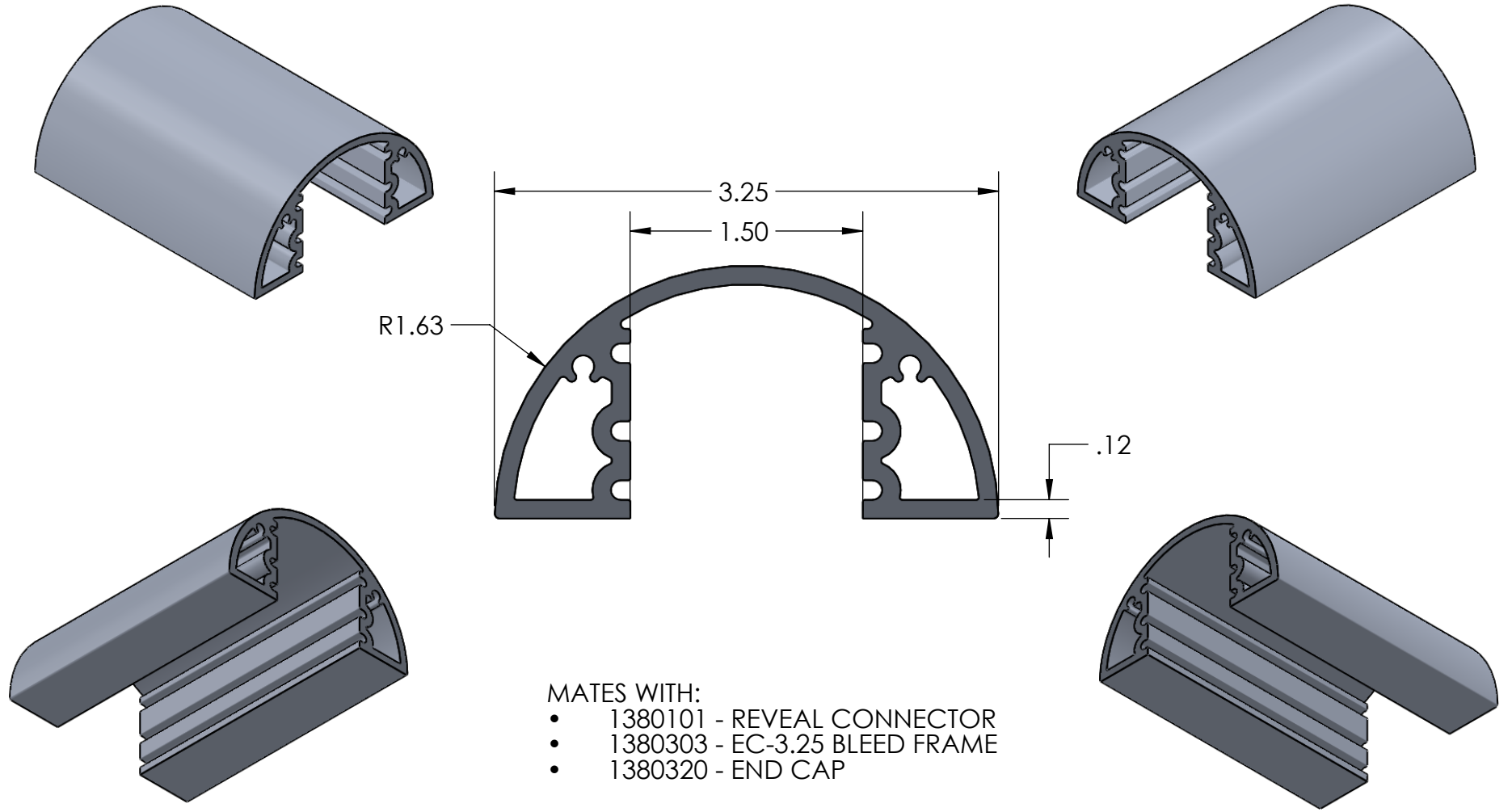


2

1

B

B



- MATES WITH:
- 1380101 - REVEAL CONNECTOR
  - 1380303 - EC-3.25 BLEED FRAME
  - 1380320 - END CAP

A

A

PROPRIETARY AND CONFIDENTIAL  
 THE INFORMATION CONTAINED IN THIS  
 DRAWING IS THE SOLE PROPERTY OF  
 EXCELLART SIGN PRODUCTS, LLC. ANY  
 REPRODUCTION IN PART OR AS A WHOLE  
 WITHOUT THE WRITTEN PERMISSION OF  
 <INSERT COMPANY NAME HERE> IS  
 PROHIBITED.

EST. WT/FT	1.27		UNLESS OTHERWISE SPECIFIED:		NAME	DATE
			DIMENSIONS ARE IN INCHES	DRAWN		
			TOLERANCES:	CHECKED		
			FRACTIONAL ±	ENG APPR.		
			ANGULAR: MACH ± BEND ±	MFG APPR.		
			TWO PLACE DECIMAL ±	Q.A.		
			THREE PLACE DECIMAL ±	COMMENTS:		
			INTERPRET GEOMETRIC TOLERANCING PER:			
			MATERIAL			
			6063-T6 ALUMINUM			
NEXT ASSY		USED ON	FINISH			
			MILL FINISH			
		APPLICATION	DO NOT SCALE DRAWING			

P/N: 1380301		
TITLE:		
<b>EXCELLART</b>		
SIGN PRODUCTS, LLC		
SIZE	DWG. NO.	REV
A	EC-3.25 RAD POST	
SCALE: 1:2	SHEET 1 OF 1	

2

1