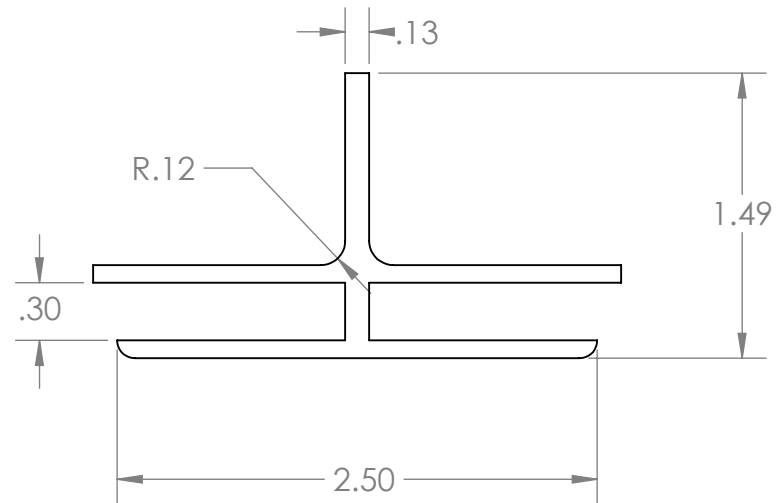
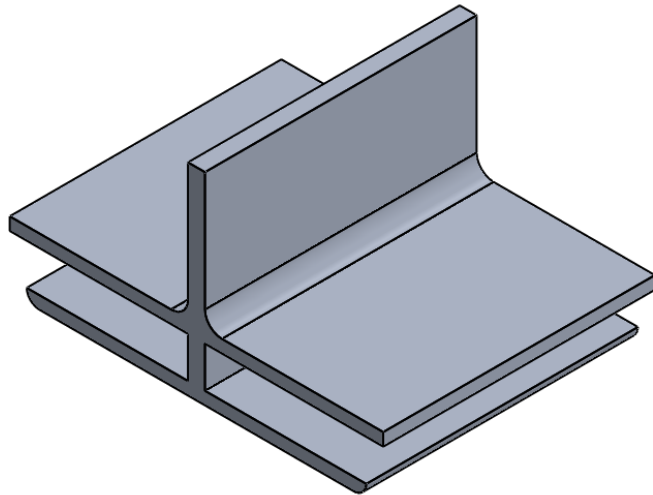


B



B

A

PROPRIETARY AND CONFIDENTIAL
THE INFORMATION CONTAINED IN THIS
DRAWING IS THE SOLE PROPERTY OF
EXCELLART SIGN PRODUCTS. ANY
REPRODUCTION IN PART OR AS A WHOLE
WITHOUT THE WRITTEN PERMISSION OF
<INSERT COMPANY NAME HERE> IS
PROHIBITED.

		UNLESS OTHERWISE SPECIFIED:		NAME	DATE	P/N: 1280167	
		DIMENSIONS ARE IN INCHES		DRAWN		TITLE:	
		TOLERANCES:		CHECKED		EXCELLART	
		FRACTIONAL ±		ENG APPR.		SIGN PRODUCTS, LLC	
		ANGULAR: MACH ± BEND ±		MFG APPR.		SIZE	DWG. NO.
		TWO PLACE DECIMAL ±		Q.A.		A 2.5 Div Bar	
		THREE PLACE DECIMAL ±		COMMENTS:		SCALE: 1:1	WEIGHT:
		INTERPRET GEOMETRIC TOLERANCING PER:				SHEET 1 OF 1	
		MATERIAL					
		6063-T5 ALUMINUM					
	NEXT ASSY	USED ON	FINISH				
			MILL				
	APPLICATION		DO NOT SCALE DRAWING				

2

1

A