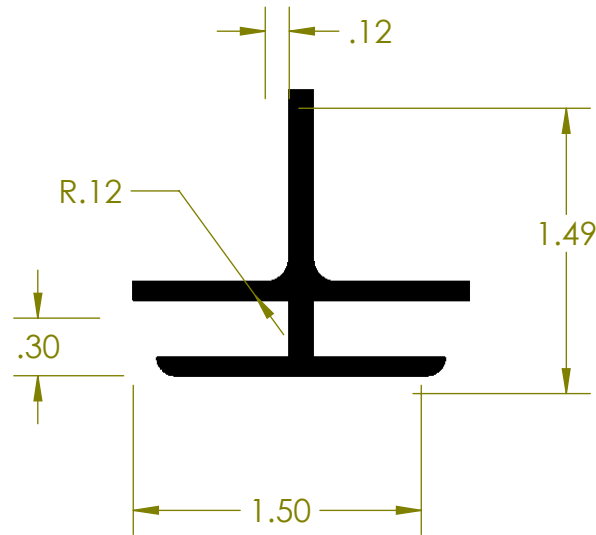


2

1

B

B



A

A

PROPRIETARY AND CONFIDENTIAL  
 THE INFORMATION CONTAINED IN THIS  
 DRAWING IS THE SOLE PROPERTY OF  
 EXCELLART SIGN PRODUCTS, LLC. ANY  
 REPRODUCTION IN PART OR AS A WHOLE  
 WITHOUT THE WRITTEN PERMISSION OF  
 <INSERT COMPANY NAME HERE> IS  
 PROHIBITED.

		UNLESS OTHERWISE SPECIFIED:		NAME	DATE
		DIMENSIONS ARE IN INCHES	DRAWN	MGA	1/21/15
		TOLERANCES:	CHECKED		
		FRACTIONAL ±	ENG APPR.		
		ANGULAR: MACH ± BEND ±	MFG APPR.		
		TWO PLACE DECIMAL ±	Q.A.		
		THREE PLACE DECIMAL ±	COMMENTS:		
		INTERPRET GEOMETRIC			
		TOLERANCING PER:			
		MATERIAL			
		6063-T6 ALUMINUM			
		FINISH			
		MILL FINISH			
NEXT ASSY	USED ON				
APPLICATION		DO NOT SCALE DRAWING			

P/N: 1280166		
TITLE:		
<b>EXCELLART</b>		
SIGN PRODUCTS, LLC		
SIZE	DWG. NO.	REV
A	1.5 DIV BAR	
SCALE: 1:1	WEIGHT:	SHEET 1 OF 1

2

1