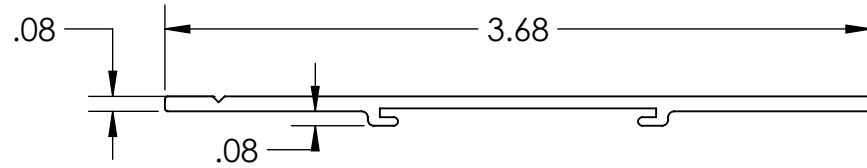


2

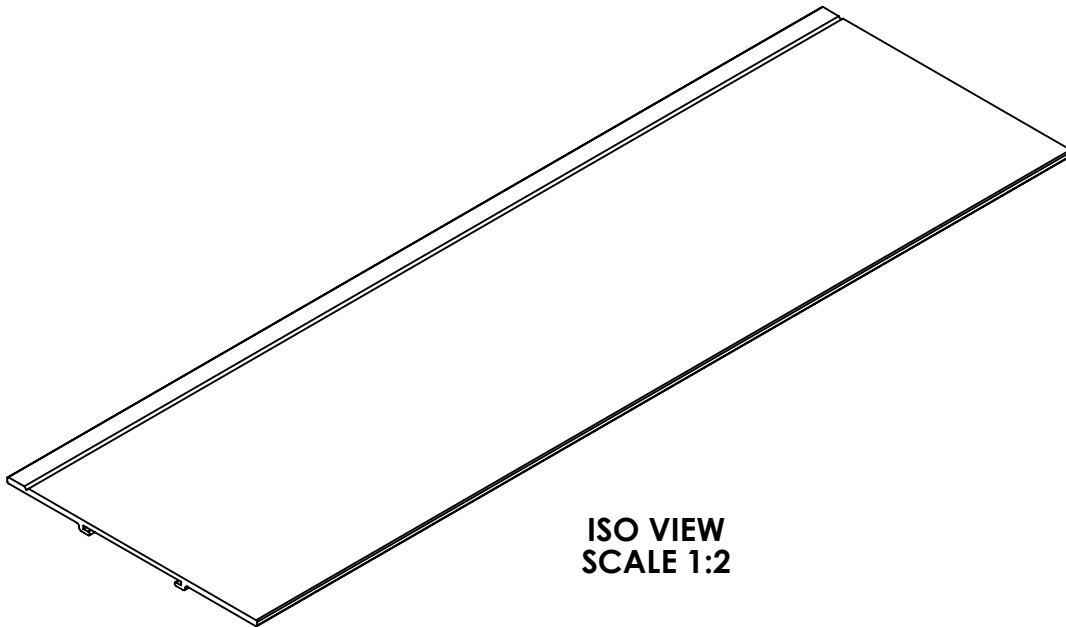
1

NOTES:

- 1) TYP WALL THICKNESS = 0.093" EXCEPT AS NOTED
- 2) 1' LENGTH SHOWN FOR WEIGHT CALCULATIONS



PROFILE VIEW



ISO VIEW  
SCALE 1:2

B

B

A

A

**EXCELLART SIGN PRODUCTS, LLC.**

1654 S. LONE ELM RD.  
OLATHE, KS 66061

(800) 627-9044  
SALES@EXCELLART.COM  
WWW.EXCELLART.COM



UNLESS OTHERWISE SPECIFIED:

DIMENSIONS ARE IN INCHES  
TOLERANCES  
 FRAC = ±1/32"  
 X.XX = ±0.03  
 X.XXX = ±0.010  
 ANGULAR: MACH±1 BEND ±2

**PROPRIETARY AND CONFIDENTIAL**

THE INFORMATION CONTAINED IN THIS DRAWING IS THE SOLE PROPERTY OF EXCELLART SIGN PRODUCTS, LLC. ANY REPRODUCTION IN PART OR AS A WHOLE WITHOUT THE WRITTEN PERMISSION OF EXCELLART SIGN PRODUCTS, LLC IS PROHIBITED.

TITLE:  
**ESP-FLEX BLEED TRIM**

DESCRIPTION:  
**ESP1280415**

MATERIAL:  
**6063-T6**

DRAWN BY:  
**EXCELLART**

APPROVED BY:

|                  |                                          |          |
|------------------|------------------------------------------|----------|
| SIZE<br><b>A</b> | Weight: <b>0.33</b><br>pound(s) per foot | REV<br>- |
|------------------|------------------------------------------|----------|

|            |           |              |
|------------|-----------|--------------|
| SCALE: 1:1 | 2/21/2024 | SHEET 1 OF 1 |
|------------|-----------|--------------|

2

1