

4

3

2

1

COVER

D

D

C

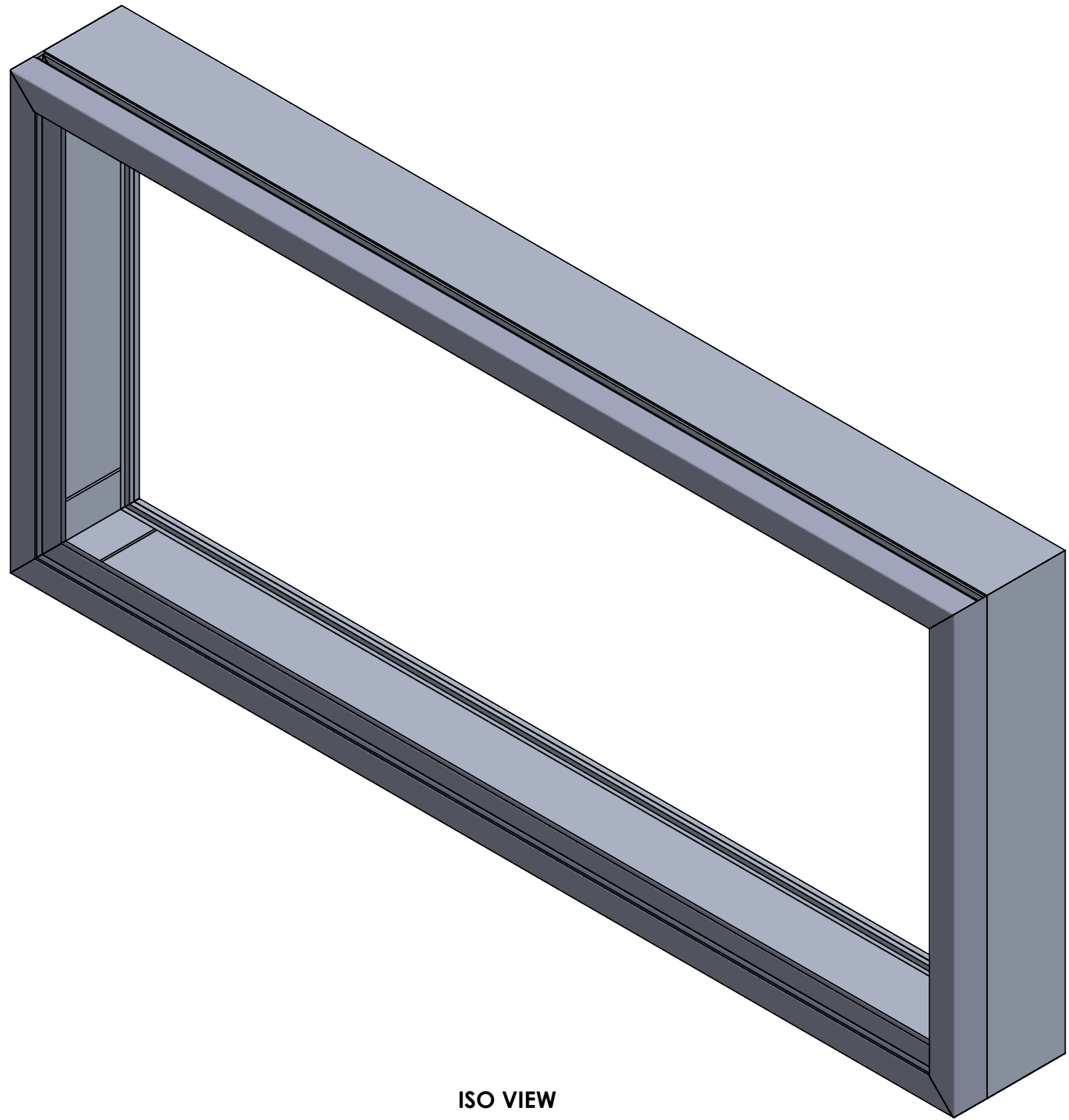
C

B

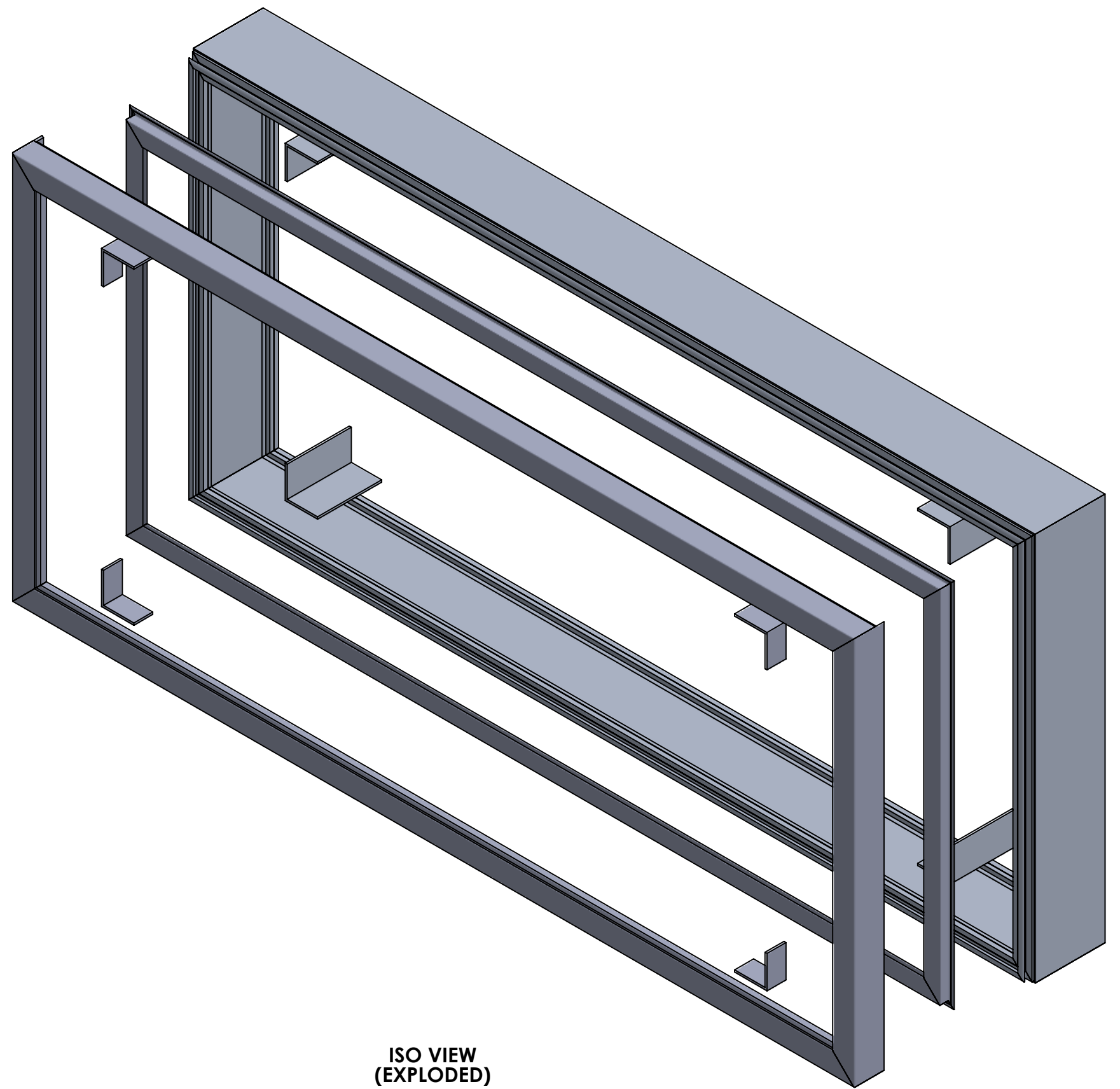
B

A

A



ISO VIEW



ISO VIEW (EXPLODED)

EXCELLART SIGN PRODUCTS, LLC. 1654 S. LONE ELM RD. OLATHE, KS 66061 (800) 627-9044 SALES@EXCELLART.COM WWW.EXCELLART.COM		UNLESS OTHERWISE SPECIFIED: DIMENSIONS ARE IN INCHES TOLERANCES FRAC = ± 1/32" X.XX = ± 0.03 X.XXX = ± 0.010 ANGULAR: MACH ± 1° BEND ± 2°		ASSEMBLY ID: ESPH-SF-FF2H1.5SF	
PROPRIETARY AND CONFIDENTIAL THE INFORMATION CONTAINED IN THIS DRAWING IS THE SOLE PROPERTY OF EXCELLART SIGN PRODUCTS, LLC. ANY REPRODUCTION IN PART OR AS A WHOLE WITHOUT THE WRITTEN PERMISSION OF EXCELLART SIGN PRODUCTS, LLC IS PROHIBITED.		DRAWN BY: EXCELLART		APPROVED BY:	
		SIZE C	Weight: 56.92 (lbs) Perimeter Length: 19 (ft)	REV -	
		SCALE: 1:8	1/8/2024	SHEET 1 OF 3	

4

3

2

1

4

3

2

1

DIMS

D

D

C

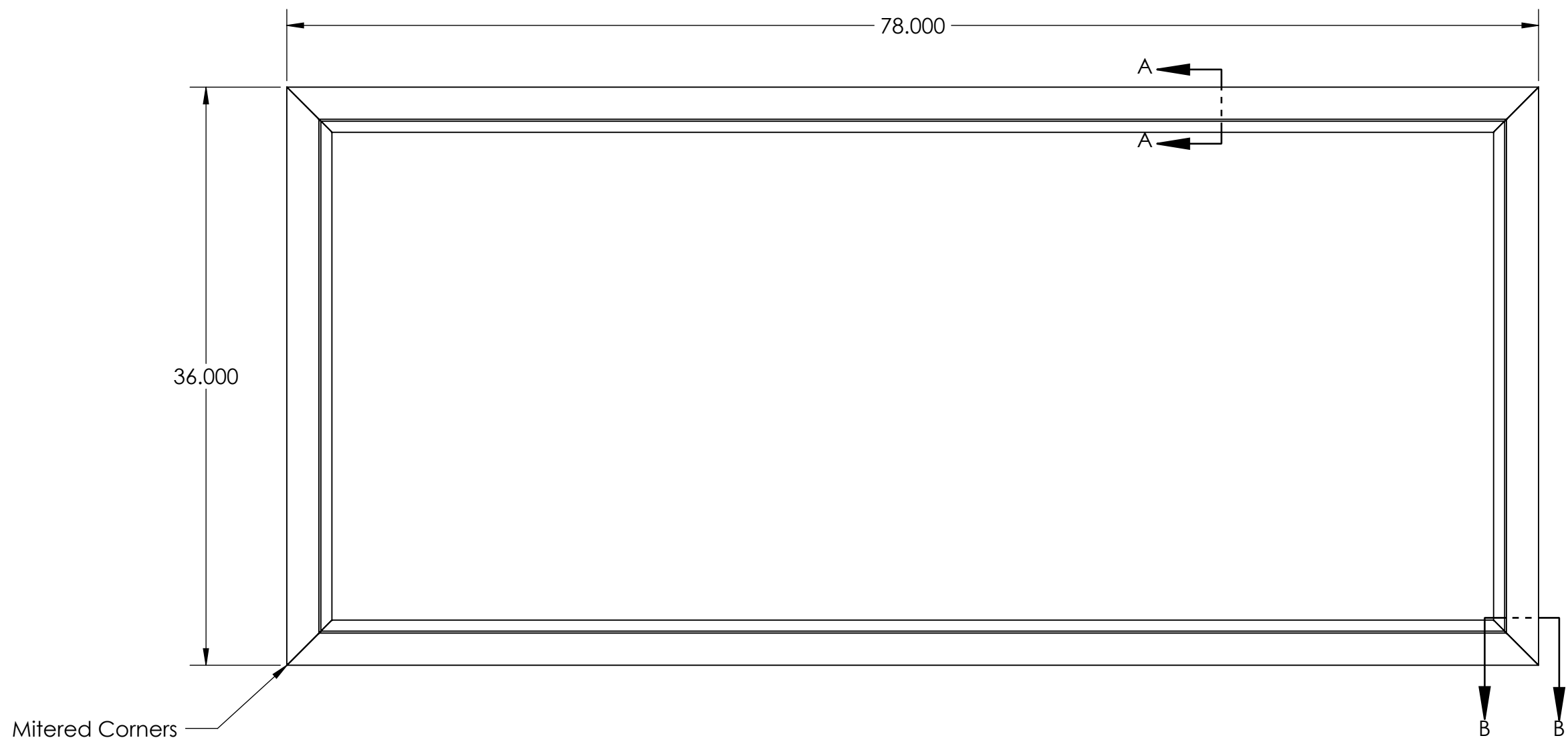
C

B

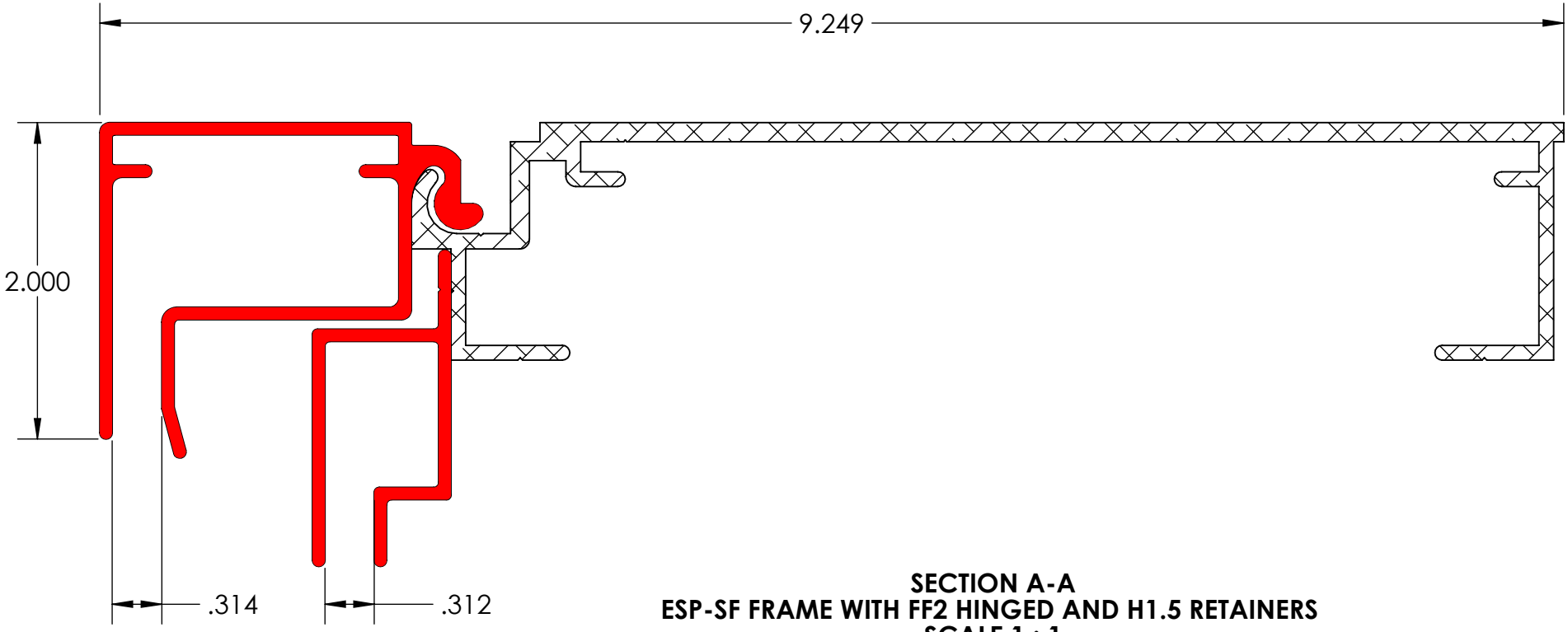
B

A

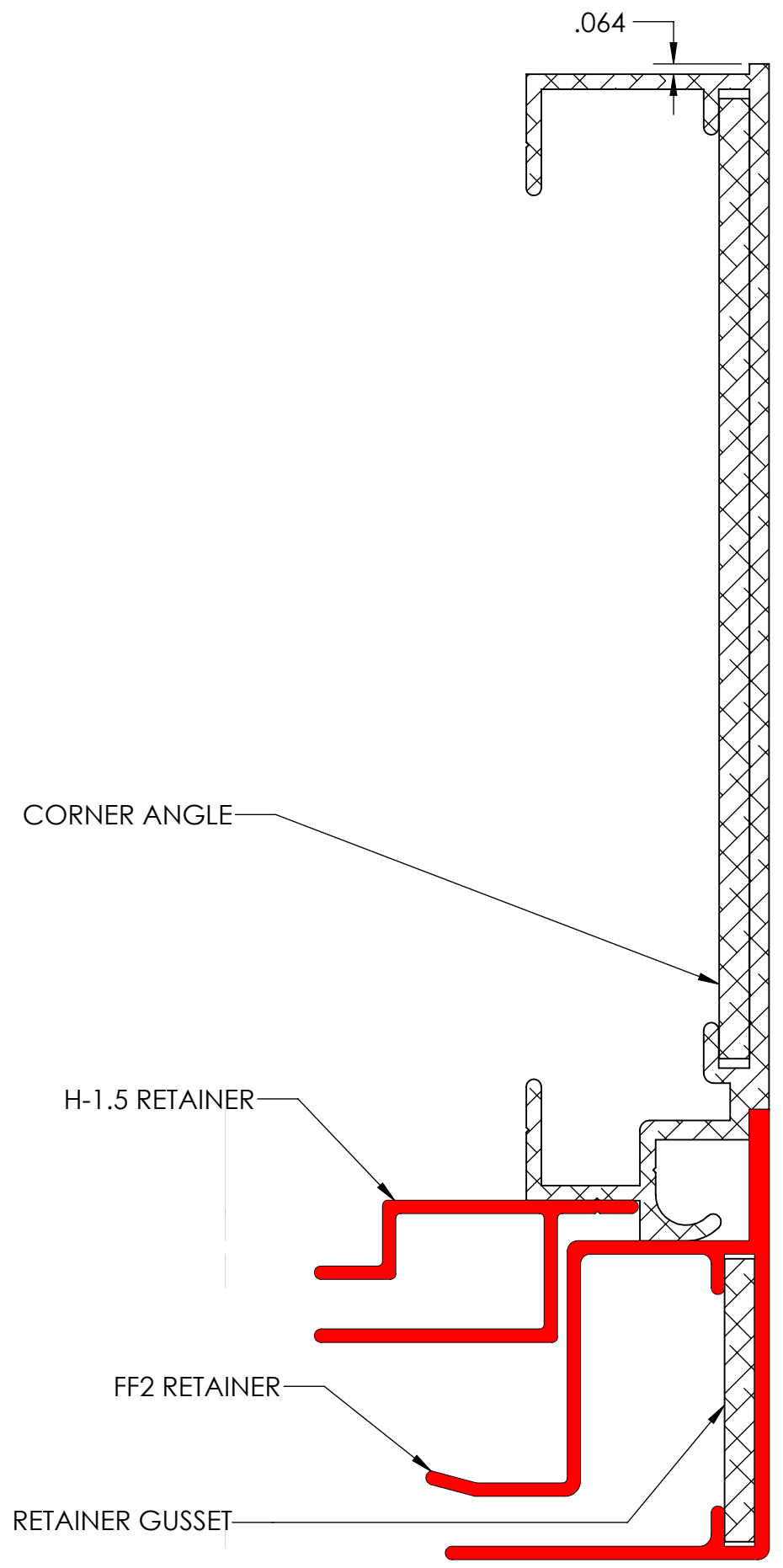
A




FRONT VIEW



SECTION A-A
ESP-SF FRAME WITH FF2 HINGED AND H1.5 RETAINERS
SCALE 1 : 1



SECTION B-B
ESP-SF FRAME WITH FF2 AND H-1.5 RETAINERS
SCALE 1 : 1

EXCELLART SIGN PRODUCTS, LLC. 1654 S. LONE ELM RD. OLATHE, KS 66061 (800) 627-9044 SALES@EXCELLART.COM WWW.EXCELLART.COM 	UNLESS OTHERWISE SPECIFIED: DIMENSIONS ARE IN INCHES TOLERANCES FRAC = ± 1/32" X.XX = ± 0.03 X.XXX = ± 0.010 ANGULAR: MACH ± 1 BEND ± 2	ASSEMBLY ID: ESPH-SF-FF2H1.5SF	
		DESCRIPTION: ESP-SF HINGED W. FF2 AND H1.5 RETAINERS	
THE INFORMATION CONTAINED IN THIS DRAWING IS THE SOLE PROPERTY OF EXCELLART SIGN PRODUCTS, LLC. ANY REPRODUCTION IN PART OR AS A WHOLE WITHOUT THE WRITTEN PERMISSION OF EXCELLART SIGN PRODUCTS, LLC IS PROHIBITED.	DRAWN BY: EXCELLART	APPROVED BY:	
	SIZE C	Weight: 56.92 (lbs) Perimeter Length: 19 (ft)	REV -
	SCALE: 1:8	1/8/2024	SHEET 2 OF 3

4

3

2

1

BOM

ITEM NO.	PART NUMBER	DESCRIPTION	MATERIAL	QTY.
1	ESP1280466	ESP-SF HINGED FRAME	6063-T6	1
2	ESP1280295	ESP-FF2 RETAINER	6063-T6	1
3	ESP1280294	ESP-FF2 HINGED RETAINER	6063-T6	1
4	ESP1280487	ESP-H1.5 RETAINER	6063-T6	1
5	ESP1280139	5 15/16" X 3" X 3" X 3/16" ANGLE	6063-T6	4
6	ESP1280307	1 3/4" X 3" X 3" X 3/16" GUSSET	6063-T6	4

NOTES:

- ESP-SF HINGED CHANGEABLE COPY KIT WITH ESP-FF AND ESP-H1.5 RETAINERS CONSISTS OF QTY (4) ESP-SF HINGED FRAME PIECES, QTY (4) CORNER ANGLES, QTY (6) ESP-FF RETAINER PIECES, QTY (2) ESP-FF HINGED RETAINER PIECES, QTY (8) RETAINER GUSSETS PIECES, AND QTY (8) ESP-H1.5 RETAINER PIECES
- ANGLES ARE USED TO GUIDE FRAME PIECES INTO POSITION
- GUSSETS ARE USED TO GUIDE RETAINER PIECES INTO POSITION (IF APPLICABLE)
- HINGED FRAME SECTION AND HINGED RETAINERS SHOWN TO BE ON TOP OF SIGN CABINET (IF APPLICABLE)
- SELF DRILLING SCREWS / RIVETS / LOCK CYLINDERS ETC (BY OTHERS) TO SECURE RETAINERS AS NEEDED
- ANGLES AND GUSSETS TYPICALLY WELDED TO FRAMING (BY OTHERS)
- 6" - 8" CENTER TO CENTER SPACING RECOMMENDED FOR FLEX CLIPS
- PIANO HINGES USED TO ALLOW IDS RETAINERS TO HINGE OPEN (IF APPLICABLE)
- H1 / H1.5 RETAINERS ALLOW SECONDARY FACE TO BE MOUNTED BEHIND PRIMARY FACE
- EXCELLART UL FILE NUMBER: E152309

ISO VIEW
(EXPLODED)

EXCELLART SIGN PRODUCTS, LLC. 1654 S. LONE ELM RD. OLATHE, KS 66061 (800) 627-9044 SALES@EXCELLART.COM WWW.EXCELLART.COM	UNLESS OTHERWISE SPECIFIED: DIMENSIONS ARE IN INCHES TOLERANCES: FRAC = ± 1/32" X.XX = ± 0.03 X.XXX = ± 0.010 ANGULAR: MACH ± 1° BEND ± 2°	ASSEMBLY ID: ESPH-SF-FF2H1.5SF	
		DESCRIPTION: ESP-SF HINGED W. FF2 AND H1.5 RETAINERS	
THE INFORMATION CONTAINED IN THIS DRAWING IS THE SOLE PROPERTY OF EXCELLART SIGN PRODUCTS, LLC. ANY REPRODUCTION IN PART OR AS A WHOLE WITHOUT THE WRITTEN PERMISSION OF EXCELLART SIGN PRODUCTS, LLC IS PROHIBITED.		DRAWN BY: EXCELLART	APPROVED BY:
		SIZE C	Weight: 56.92 (lbs) REV Perimeter Length: 19 (ft) -
		SCALE: 1:8	1/8/2024

4

3

2

1