

4

3

2

1

COVER

D

D

C

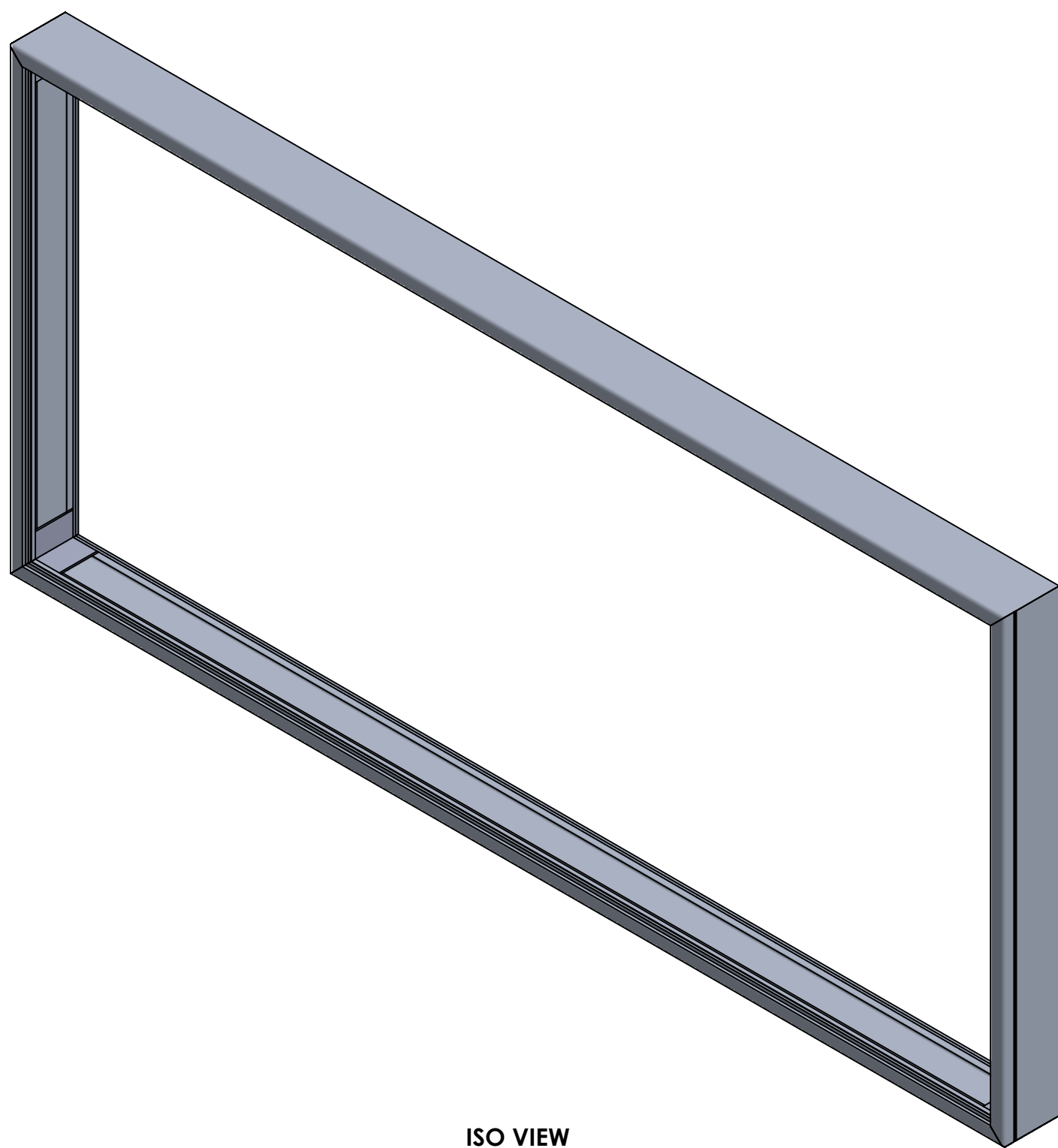
C

B

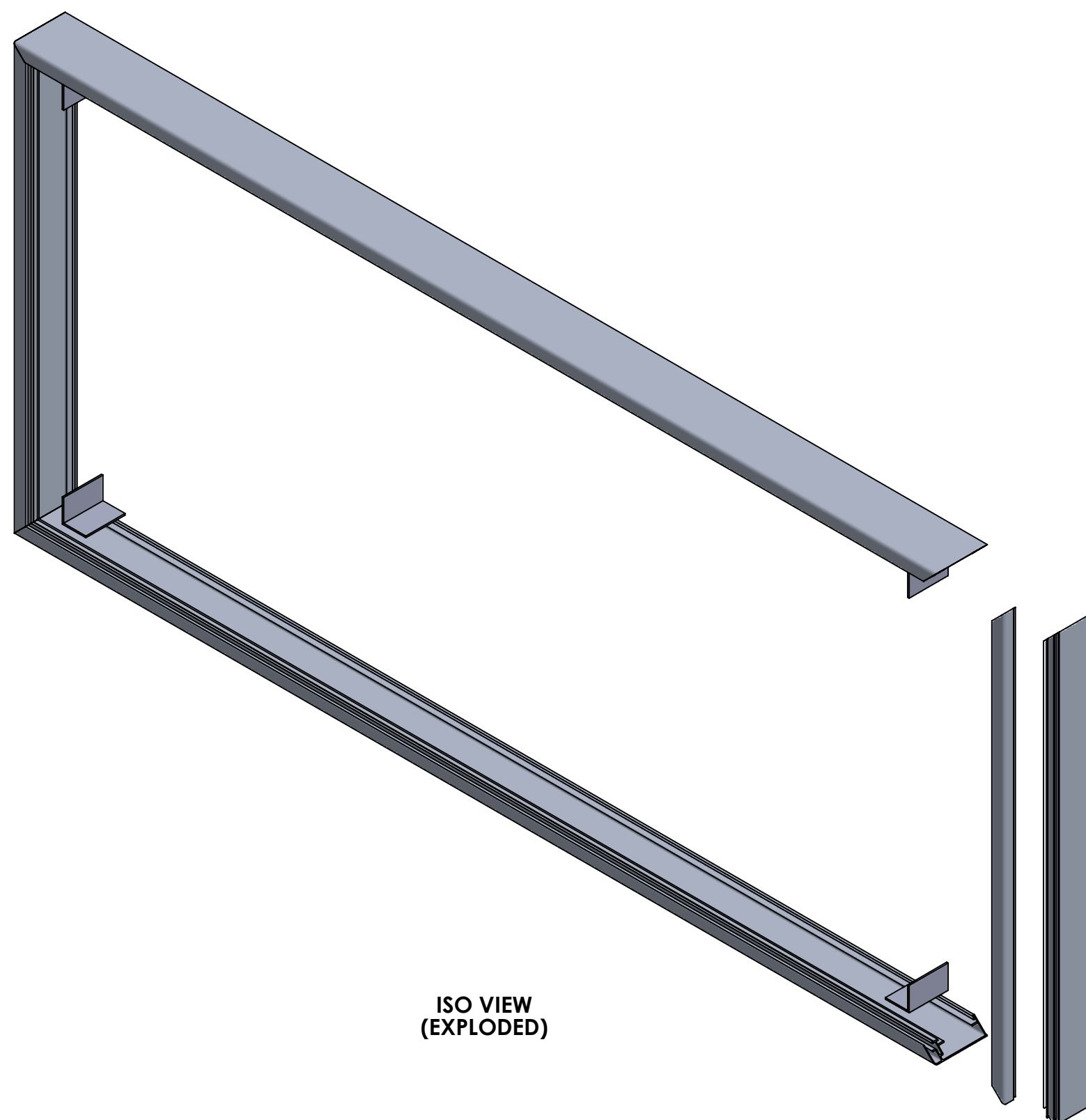
B

A

A



ISO VIEW



ISO VIEW  
(EXPLODED)

**EXCELLART SIGN PRODUCTS, LLC.**  
 1654 S. LONE ELM RD.  
 OLATHE, KS 66061  
 (800) 627-9044  
 SALES@EXCELLART.COM  
 WWW.EXCELLART.COM



UNLESS OTHERWISE SPECIFIED:  
 DIMENSIONS ARE IN INCHES  
 TOLERANCES  
 FRAC = ± 1/32"  
 X.XX = ± 0.03  
 X.XXX = ± 0.010  
 ANGULAR: MACH ± 1° BEND ± 2°

**PROPRIETARY AND CONFIDENTIAL**  
 THE INFORMATION CONTAINED IN  
 THIS DRAWING IS THE SOLE  
 PROPERTY OF EXCELLART SIGN  
 PRODUCTS, LLC. ANY  
 REPRODUCTION IN PART OR AS A  
 WHOLE WITHOUT THE WRITTEN  
 PERMISSION OF EXCELLART SIGN  
 PRODUCTS, LLC IS PROHIBITED.

ASSEMBLY ID:  
**ESPS-4R-4SISF**

DESCRIPTION:  
**ESP-4R-KIT**

DRAWN BY:  
**EXCELLART**

APPROVED BY:

SIZE	Weight: <b>13.90</b> (lbs)	REV
<b>C</b>	Perimeter Length: <b>19</b> (ft)	-

SCALE: 1:8	1/8/2024	SHEET 1 OF 3
------------	----------	--------------

4

3

2

1

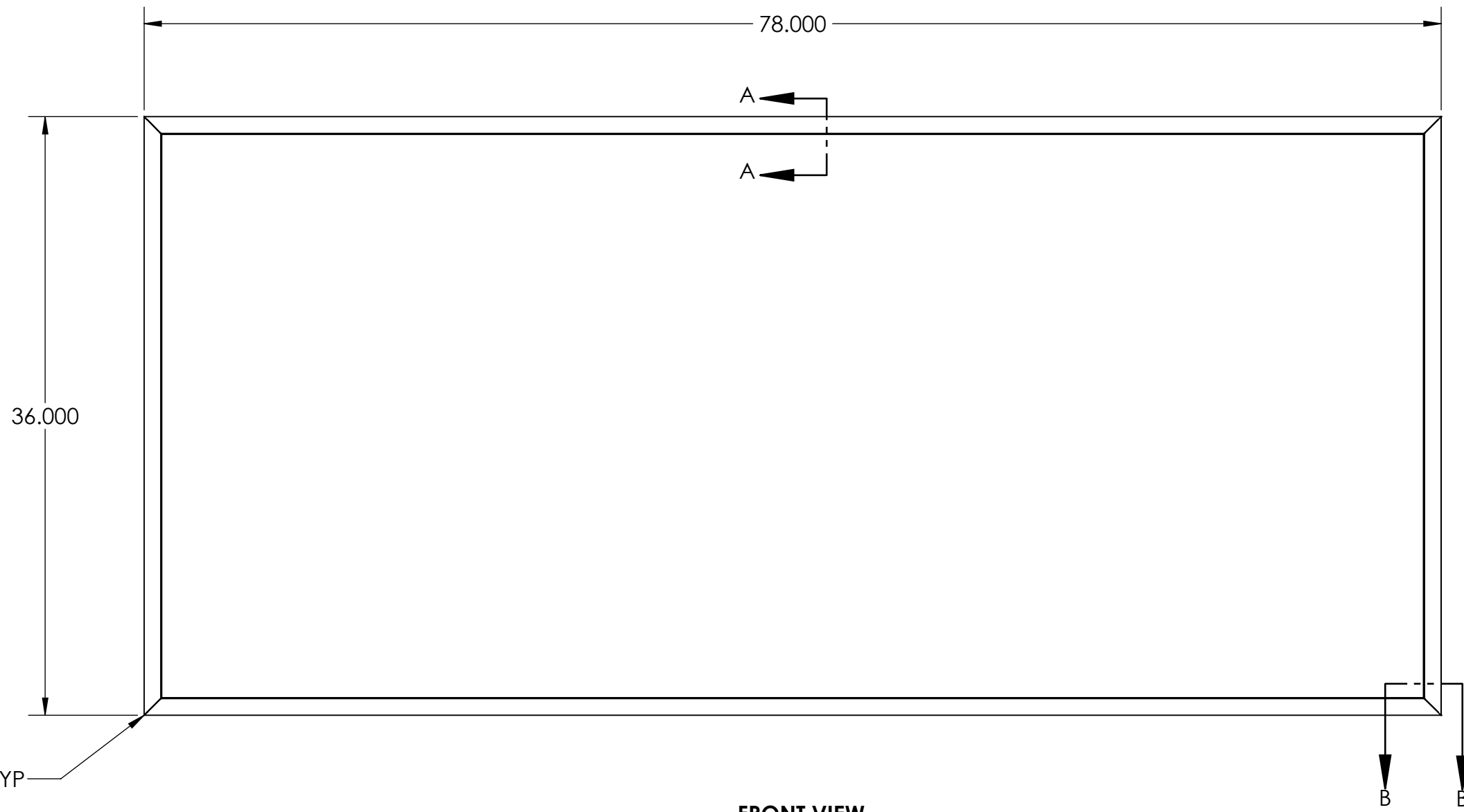
4

3

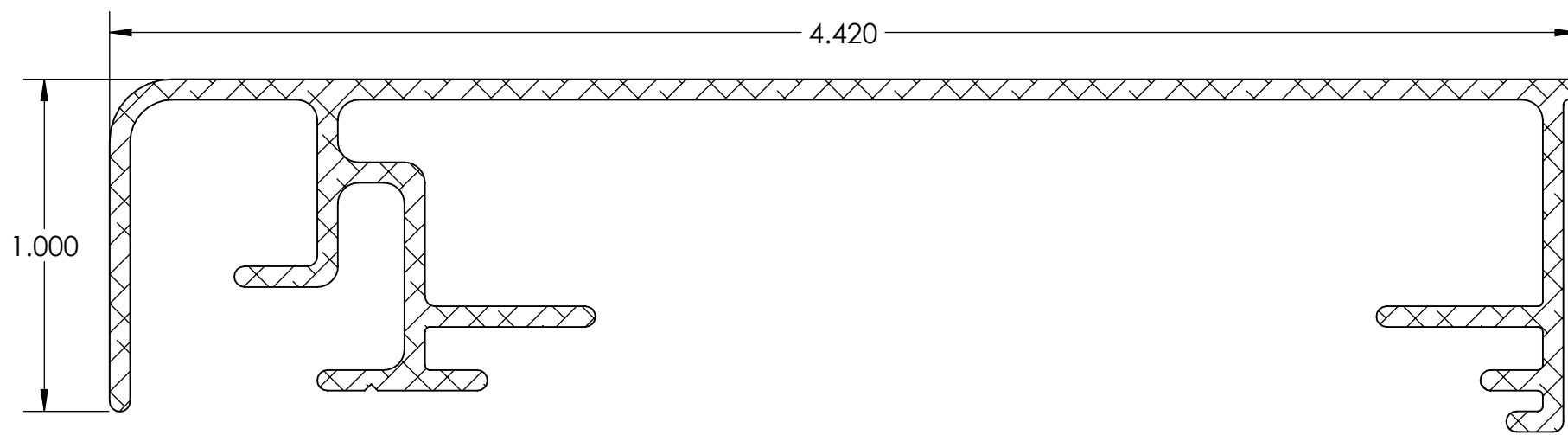
2

1

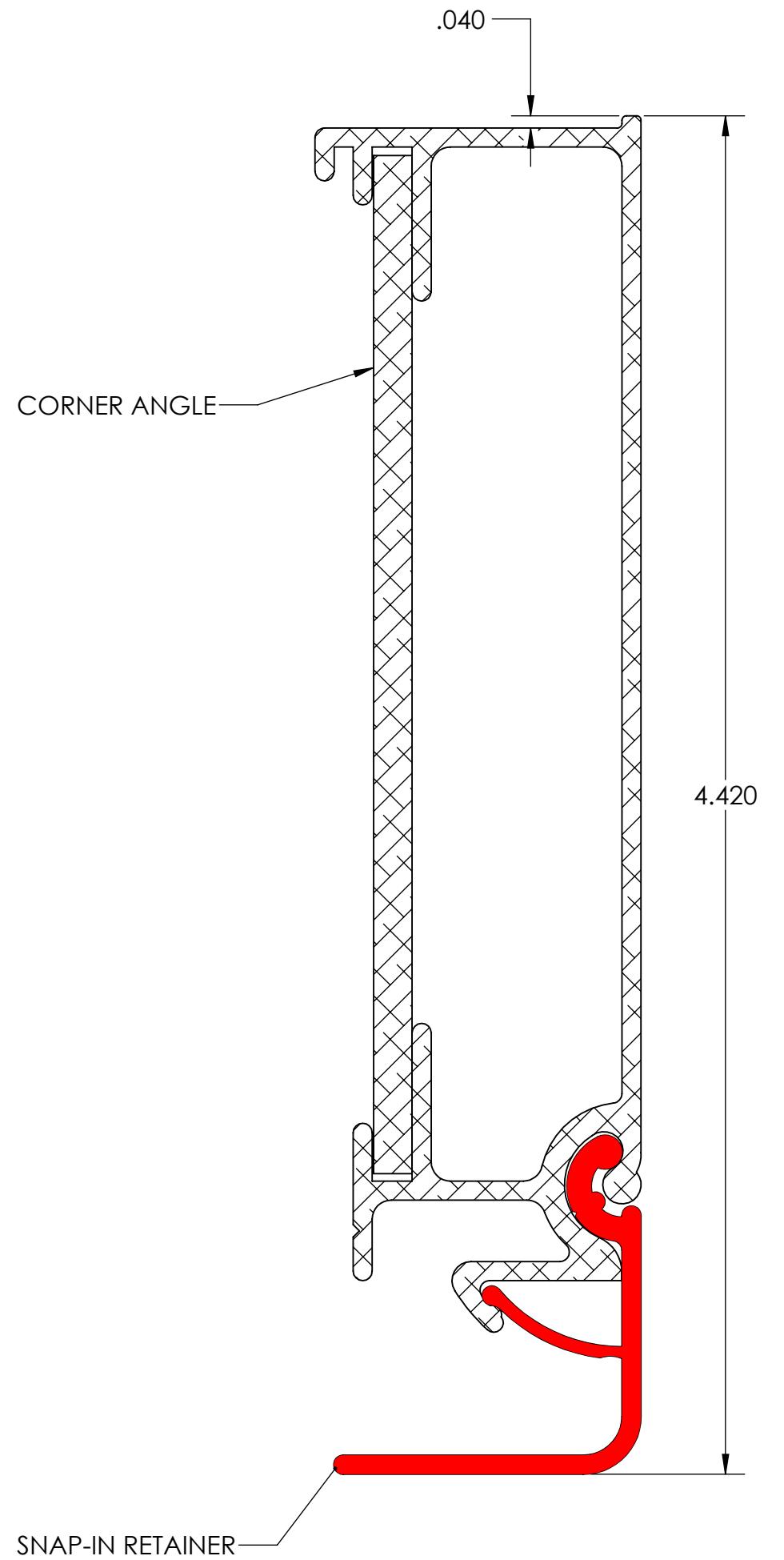
DIMS




FRONT VIEW



SECTION A-A  
EC-4 FRAME  
SCALE 2 : 1



SECTION B-B  
EC-4R FRAME WITH ESP-4SI RETAINER  
SCALE 2 : 1

<b>EXCELLART SIGN PRODUCTS, LLC.</b> 1654 S. LONE ELM RD. OLATHE, KS 66061 (800) 627-9044 SALES@EXCELLART.COM WWW.EXCELLART.COM		UNLESS OTHERWISE SPECIFIED: DIMENSIONS ARE IN INCHES TOLERANCES FRAC = ± 1/32" X.XX = ± 0.03 X.XXX = ± 0.010 ANGULAR: MACH ± 1° BEND ± 2°		ASSEMBLY ID: <b>ESPS-4R-4SISF</b>	
		<b>PROPRIETARY AND CONFIDENTIAL</b> THE INFORMATION CONTAINED IN THIS DRAWING IS THE SOLE PROPERTY OF EXCELLART SIGN PRODUCTS, LLC. ANY REPRODUCTION IN PART OR AS A WHOLE WITHOUT THE WRITTEN PERMISSION OF EXCELLART SIGN PRODUCTS, LLC IS PROHIBITED.		DESCRIPTION: <b>ESP-4R-KIT</b>	
		DRAWN BY: <b>EXCELLART</b>		APPROVED BY:	
SIZE <b>C</b>		Weight: <b>13.90</b> (lbs)		REV -	
SCALE: 1:8		1/8/2024		SHEET 2 OF 3	

4

3

2

1

A

A

B

B

C

C

D

D

4

3

2

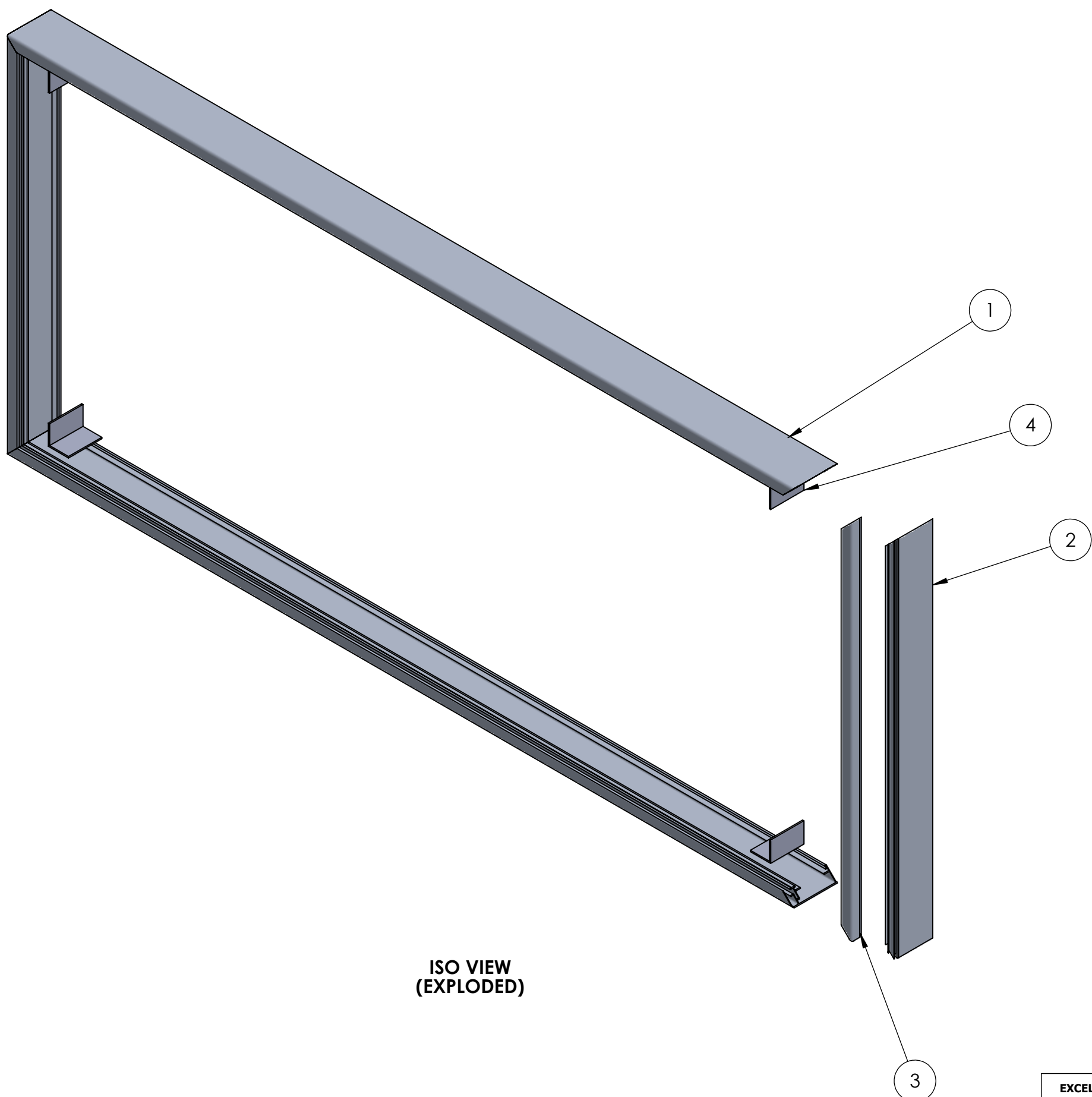
1

BOM

ITEM NO.	PART NUMBER	DESCRIPTION	MATERIAL	QTY.
1	ESP1280498	ESP-4R FRAME	6063-T6	1
2	ESP1280497	ESP-4 FRAME	6063-T6	1
3	ESP1280496	ESP-4SI RETAINER	6063-T6	1
4	ESP1280313	3 5/16" X 2" X 2" X 1/8" ANGLE	6063-T6	4

NOTES:

- 1) ESP-4R KIT CONSISTS OF QTY (3) ESP-4R FRAME PIECES, QTY (1) ESP-4 FRAME PIECE, QTY (4) CORNER ANGLES, AND QTY (1) ESP-4SI SNAP-IN RETAINER
- 2) ANGLES ARE USED TO GUIDE FRAME PIECES INTO POSITION
- 3) GUSSETS ARE USED TO GUIDE RETAINER PIECES INTO POSITION (IF APPLICABLE)
- 4) HINGED FRAME SECTION AND HINGED RETAINERS SHOWN TO BE ON TOP OF SIGN CABINET (IF APPLICABLE)
- 5) SELF DRILLING SCREWS / RIVETS / LOCK CYLINDERS ETC (BY OTHERS) TO SECURE RETAINERS AS NEEDED
- 6) ANGLES AND GUSSETS TYPICALLY WELDED TO FRAMING (BY OTHERS)
- 7) 6" - 8" CENTER TO CENTER SPACING RECOMMENDED FOR FLEX CLIPS
- 8) PIANO HINGES USED TO ALLOW IDS RETAINERS TO HINGE OPEN (IF APPLICABLE)
- 9) H1 / H1.5 RETAINERS ALLOW SECONDARY FACE TO BE MOUNTED BEHIND PRIMARY FACE
- 10) EXCELLART UL FILE NUMBER: E152309



ISO VIEW (EXPLODED)

<b>EXCELLART SIGN PRODUCTS, LLC.</b> 1654 S. LONE ELM RD. OLATHE, KS 66061 (800) 627-9044 SALES@EXCELLART.COM WWW.EXCELLART.COM	UNLESS OTHERWISE SPECIFIED: DIMENSIONS ARE IN INCHES TOLERANCES FRAC = ± 1/32" X.XX = ± 0.03 X.XXX = ± 0.010 ANGULAR: MACH ± 1° BEND ± 2°	ASSEMBLY ID: <b>ESPS-4R-4SISF</b>	
		DESCRIPTION: <b>ESP-4R-KIT</b>	
<b>EXCELLART</b> <small>THE INFORMATION CONTAINED IN THIS DRAWING IS THE SOLE PROPERTY OF EXCELLART SIGN PRODUCTS, LLC. ANY REPRODUCTION IN PART OR AS A WHOLE WITHOUT THE WRITTEN PERMISSION OF EXCELLART SIGN PRODUCTS, LLC IS PROHIBITED.</small>	DRAWN BY: <b>EXCELLART</b>	APPROVED BY:	
	SIZE <b>C</b>	Weight: <b>13.90</b> (lbs) Perimeter Length: <b>19</b> (ft)	REV -
	SCALE: 1:8	1/8/2024	SHEET 3 OF 3

4

3

2

1