

4

3

2

1

COVER

D

D

C

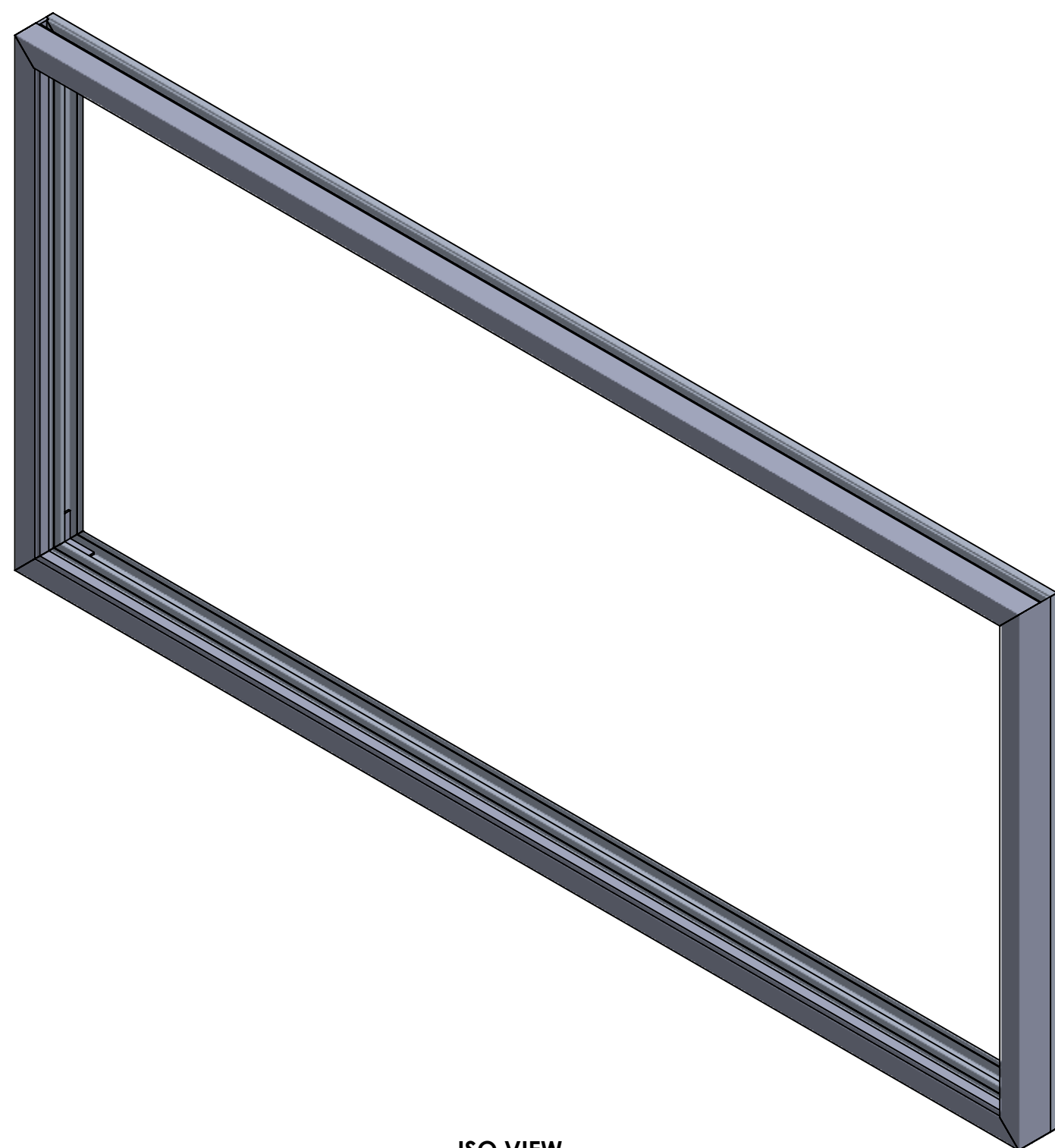
C

B

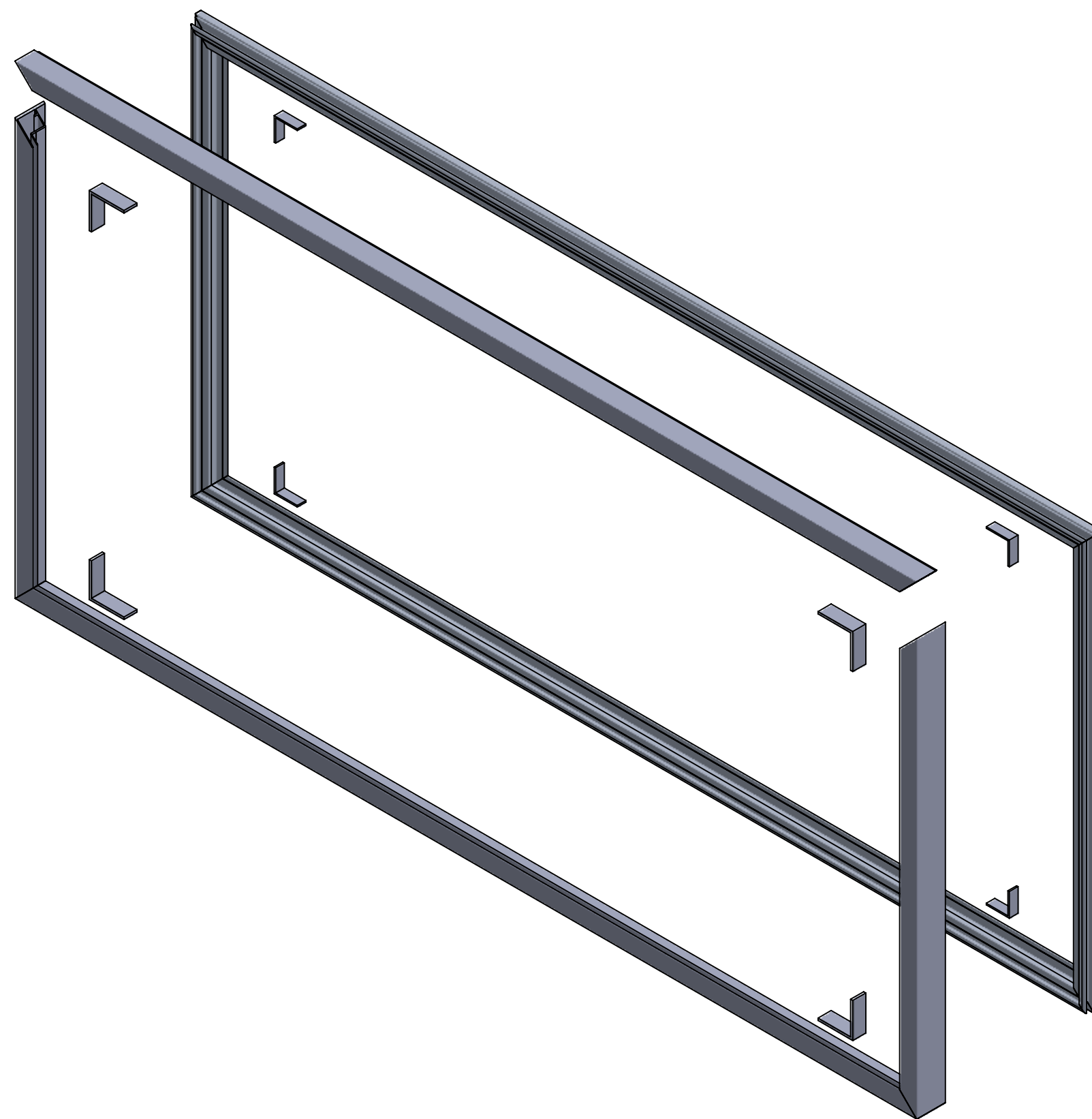
B

A


A



ISO VIEW



ISO VIEW (EXPLODED)

EXCELLART SIGN PRODUCTS, LLC. 1654 S. LONE ELM RD. OLATHE, KS 66061 (800) 627-9044 SALES@EXCELLART.COM WWW.EXCELLART.COM		UNLESS OTHERWISE SPECIFIED: DIMENSIONS ARE IN INCHES TOLERANCES FRAC = ± 1/32" X.XX = ±0.03 X.XXX = ±0.010 ANGULAR: MACH±1 BEND ±2		ASSEMBLY ID: ESPH-WM-FFSF	
 <p>THE INFORMATION CONTAINED IN THIS DRAWING IS THE SOLE PROPERTY OF EXCELLART SIGN PRODUCTS, LLC. ANY REPRODUCTION IN PART OR AS A WHOLE WITHOUT THE WRITTEN PERMISSION OF EXCELLART SIGN PRODUCTS, LLC IS PROHIBITED.</p>		PROPRIETARY AND CONFIDENTIAL		DESCRIPTION: ESP-WM HINGED W. FF RETAINER	
		DRAWN BY: EXCELLART		APPROVED BY:	
SIZE	Weight: 29.08 (lbs)	REV			
C	Perimeter Length: 19 (ft)	-			
SCALE: 1:8		1/8/2024	SHEET 1 OF 3		

4

3

2

1

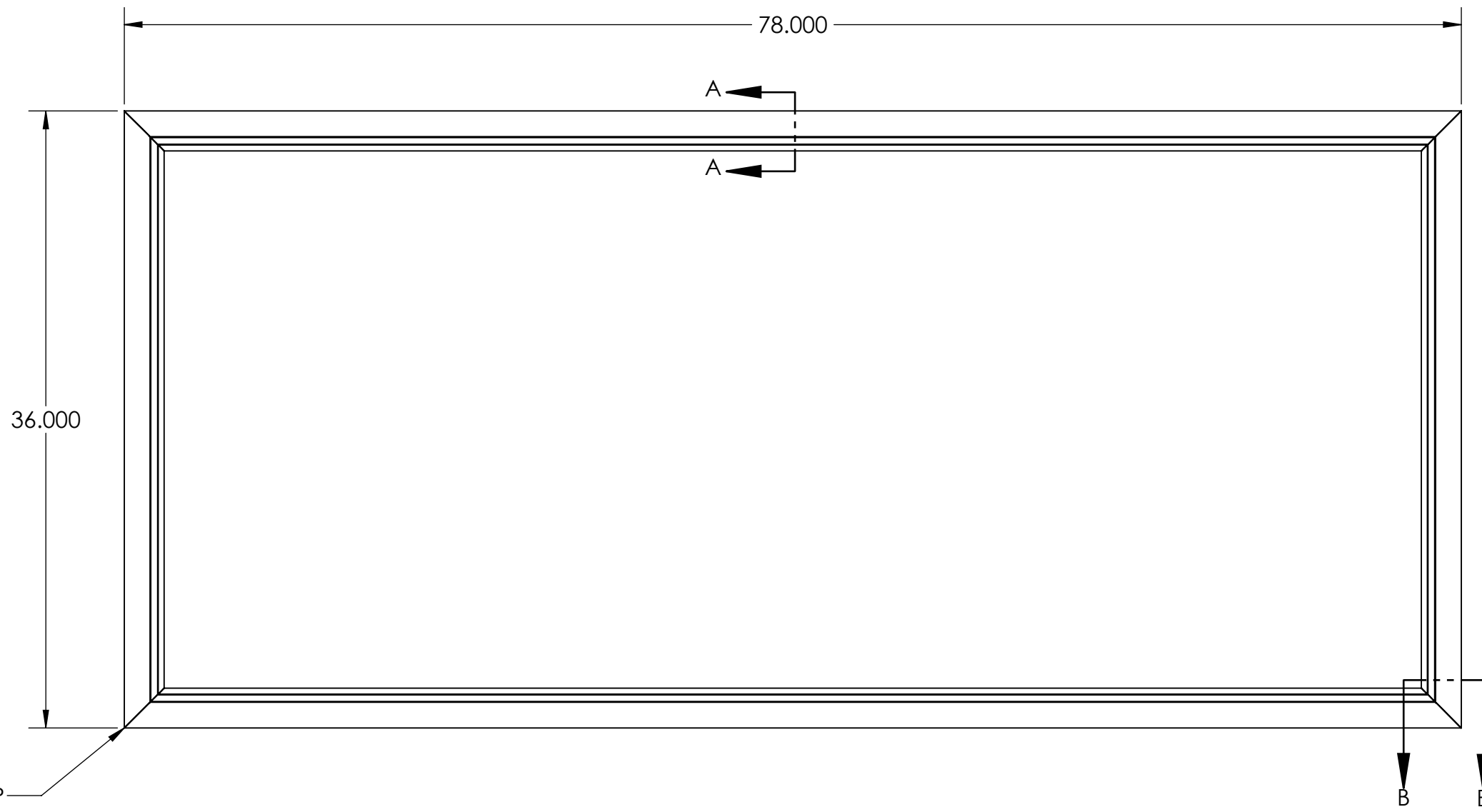
4

3

2

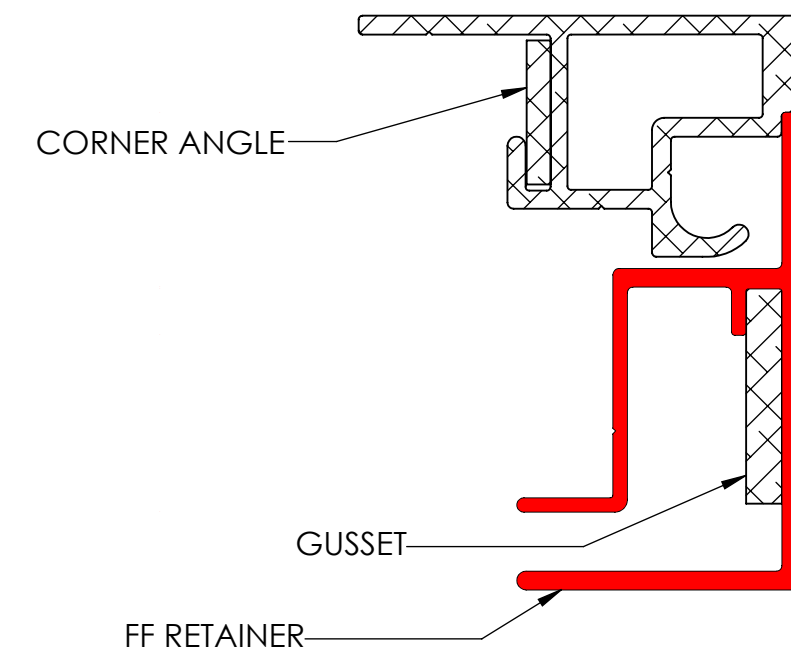
1

DIMS

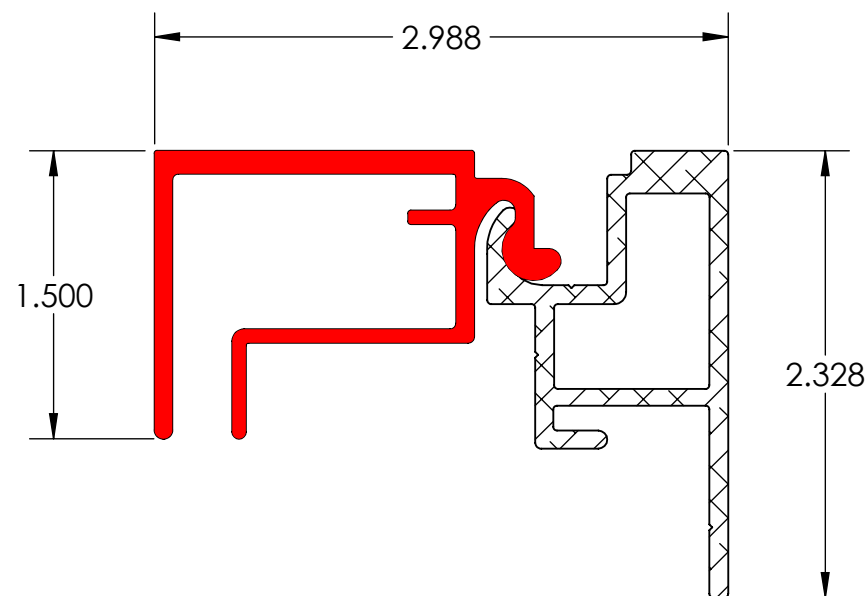


Mitered Corners, TYP


FRONT VIEW



SECTION B-B
ESP-WM FRAME WITH ESP-FF RETAINER
SCALE 1 : 1



SECTION A-A
ESP-WM FRAME WITH ESP-FF RETAINER
SCALE 1 : 1

EXCELLART SIGN PRODUCTS, LLC. 1654 S. LONE ELM RD. OLATHE, KS 66061 (800) 627-9044 SALES@EXCELLART.COM WWW.EXCELLART.COM		UNLESS OTHERWISE SPECIFIED: DIMENSIONS ARE IN INCHES TOLERANCES FRAC = ± 1/32" XXX = ± 0.03 X.XXX = ± 0.010 ANGULAR: MACH ± 1° BEND ± 2°		ASSEMBLY ID: ESPH-WM-FFSF	
 <p>THE INFORMATION CONTAINED IN THIS DRAWING IS THE SOLE PROPERTY OF EXCELLART SIGN PRODUCTS, LLC. ANY REPRODUCTION IN PART OR AS A WHOLE WITHOUT THE WRITTEN PERMISSION OF EXCELLART SIGN PRODUCTS, LLC IS PROHIBITED.</p>		PROPRIETARY AND CONFIDENTIAL DRAWN BY: EXCELLART APPROVED BY:		DESCRIPTION: ESP-WM HINGED W. FF RETAINER	
		SIZE: C SCALE: 1:8		Weight: 29.08 (lbs) Perimeter Length: 19 (ft)	
		1/8/2024		SHEET 2 OF 3	

4

3

2

1

A

A

B

B

C

C

D

D

4

3

2

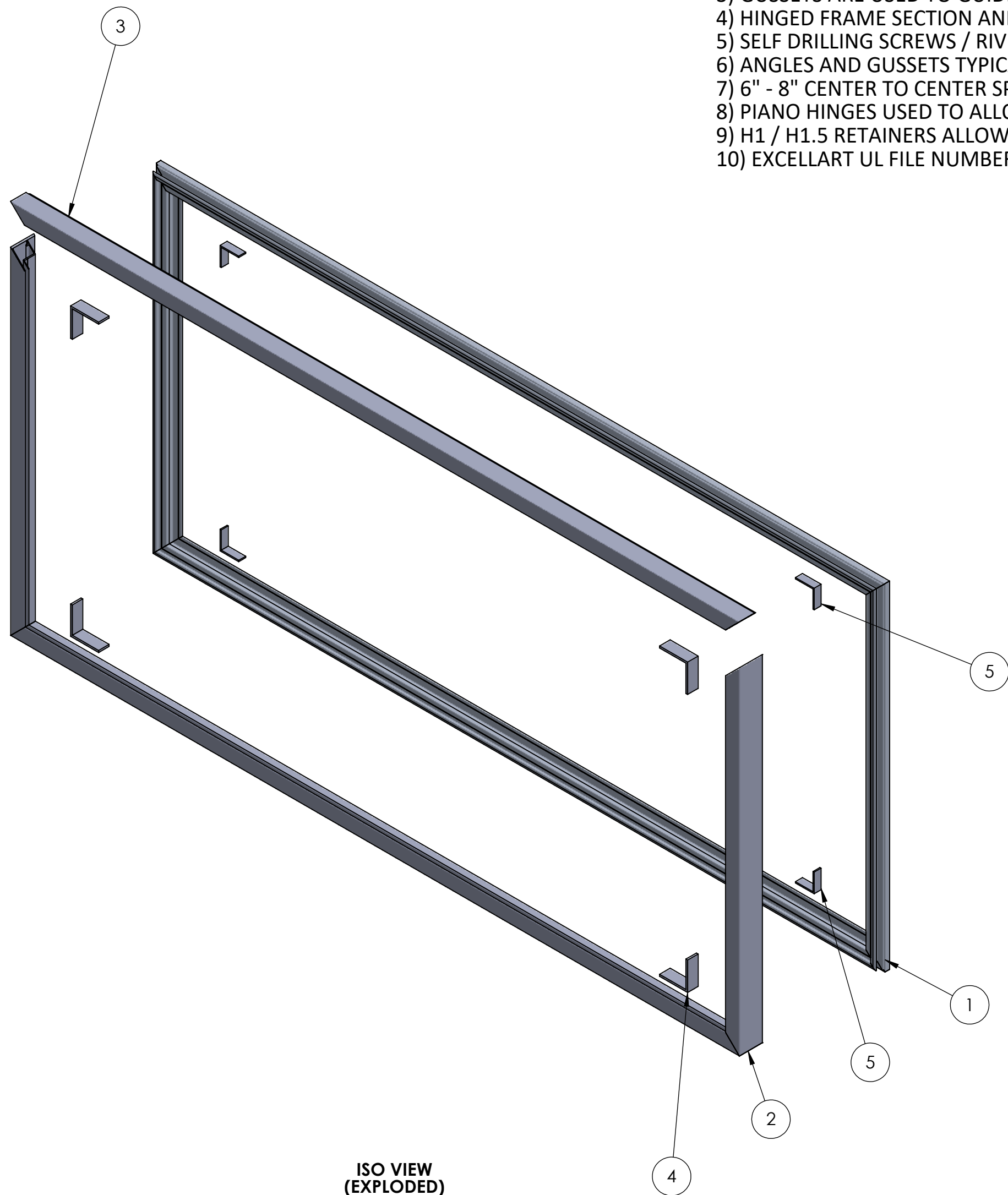
1

BOM

ITEM NO.	PART NUMBER	DESCRIPTION	MATERIAL	QTY.
1	ESP1280290	ESP-WM HINGED FRAME	6063-T6	1
2	ESP1280117	ESP-FF RETAINER	6063-T6	1
3	ESP1280224	ESP-FF HINGED RETAINER	6063-T6	1
4	ESP1280119	1 1/8" X 3" X 3" X 3/16" GUSSET	6063-T6	4
5	ESP1280289	2 X 2 X .125" ANGLE	6063-T6	4

NOTES:

- 1) ESP-WM KIT CONSISTS OF QTY (4) ESP-WM FRAME PIECES, QTY (4) CORNER ANGLES, QTY (3) ESP-FF RETAINER PIECES, QTY (1) ESP-FF HINGED RETAINER PIECE, AND QTY (4) RETAINER GUSSETS
- 2) ANGLES ARE USED TO GUIDE FRAME PIECES INTO POSITION
- 3) GUSSETS ARE USED TO GUIDE RETAINER PIECES INTO POSITION (IF APPLICABLE)
- 4) HINGED FRAME SECTION AND HINGED RETAINERS SHOWN TO BE ON TOP OF SIGN CABINET (IF APPLICABLE)
- 5) SELF DRILLING SCREWS / RIVETS / LOCK CYLINDERS ETC (BY OTHERS) TO SECURE RETAINERS AS NEEDED
- 6) ANGLES AND GUSSETS TYPICALLY WELDED TO FRAMING (BY OTHERS)
- 7) 6" - 8" CENTER TO CENTER SPACING RECOMMENDED FOR FLEX CLIPS
- 8) PIANO HINGES USED TO ALLOW IDS RETAINERS TO HINGE OPEN (IF APPLICABLE)
- 9) H1 / H1.5 RETAINERS ALLOW SECONDARY FACE TO BE MOUNTED BEHIND PRIMARY FACE
- 10) EXCELLART UL FILE NUMBER: E152309



ISO VIEW (EXPLODED)

EXCELLART SIGN PRODUCTS, LLC. 1654 S. LONE ELM RD. OLATHE, KS 66061 (800) 627-9044 SALES@EXCELLART.COM WWW.EXCELLART.COM	UNLESS OTHERWISE SPECIFIED: DIMENSIONS ARE IN INCHES TOLERANCES FRAC = ± 1/32" X.XX = ± 0.03 X.XXX = ± 0.010 ANGULAR: MACH ± 1° BEND ± 2°	ASSEMBLY ID: ESPH-WM-FFSF	
		DESCRIPTION: ESP-WM HINGED W. FF RETAINER	
THE INFORMATION CONTAINED IN THIS DRAWING IS THE SOLE PROPERTY OF EXCELLART SIGN PRODUCTS, LLC. ANY REPRODUCTION IN PART OR AS A WHOLE WITHOUT THE WRITTEN PERMISSION OF EXCELLART SIGN PRODUCTS, LLC IS PROHIBITED.	DRAWN BY: EXCELLART	APPROVED BY:	
	SIZE C	Weight: 29.08 (lbs) Perimeter Length: 19 (ft)	REV -
	SCALE: 1:8	1/8/2024	SHEET 3 OF 3

4

3

2

1