

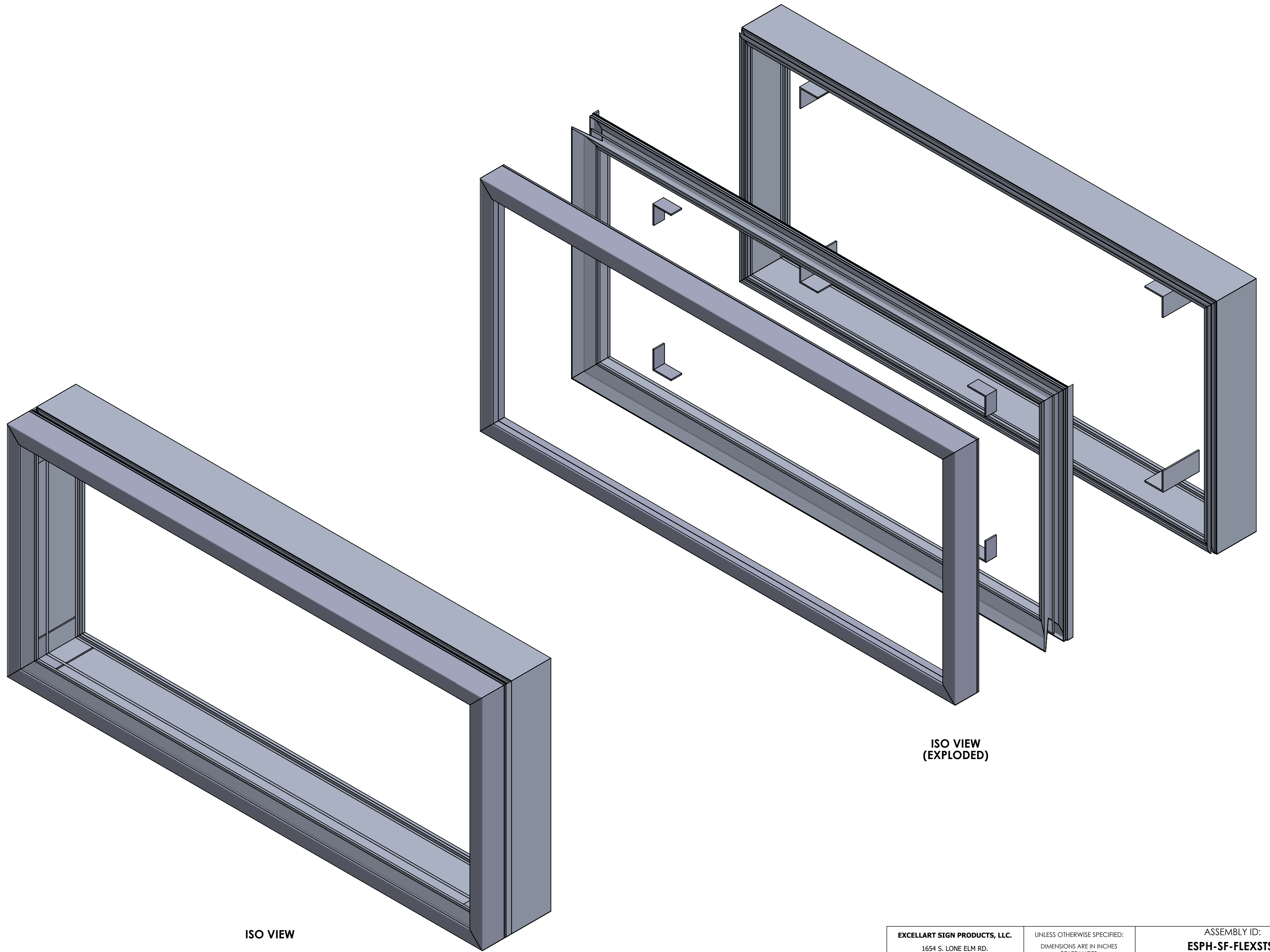
4

3

2

1

COVER



ISO VIEW

ISO VIEW (EXPLODED)

EXCELLART SIGN PRODUCTS, LLC. 1654 S. LONE ELM RD. OLATHE, KS 66061 (800) 627-9044 SALES@EXCELLART.COM WWW.EXCELLART.COM		UNLESS OTHERWISE SPECIFIED: DIMENSIONS ARE IN INCHES TOLERANCES FRAC = ± 1/32" X.XX = ± 0.03 X.XXX = ± 0.010 ANGULAR: MACH ± 1° BEND ± 2°		ASSEMBLY ID: ESPH-SF-FLEXSTSF	
THE INFORMATION CONTAINED IN THIS DRAWING IS THE SOLE PROPERTY OF EXCELLART SIGN PRODUCTS, LLC. ANY REPRODUCTION IN PART OR AS A WHOLE WITHOUT THE WRITTEN PERMISSION OF EXCELLART SIGN PRODUCTS, LLC IS PROHIBITED.		PROPRIETARY AND CONFIDENTIAL		DRAWN BY: EXCELLART	
		APPROVED BY:		SIZE Weight: 66.21 (lbs) REV C Perimeter Length: 19 (ft) -	
		SCALE: 1:8		1/8/2024 SHEET 1 OF 3	

4

3

2

1

A

A

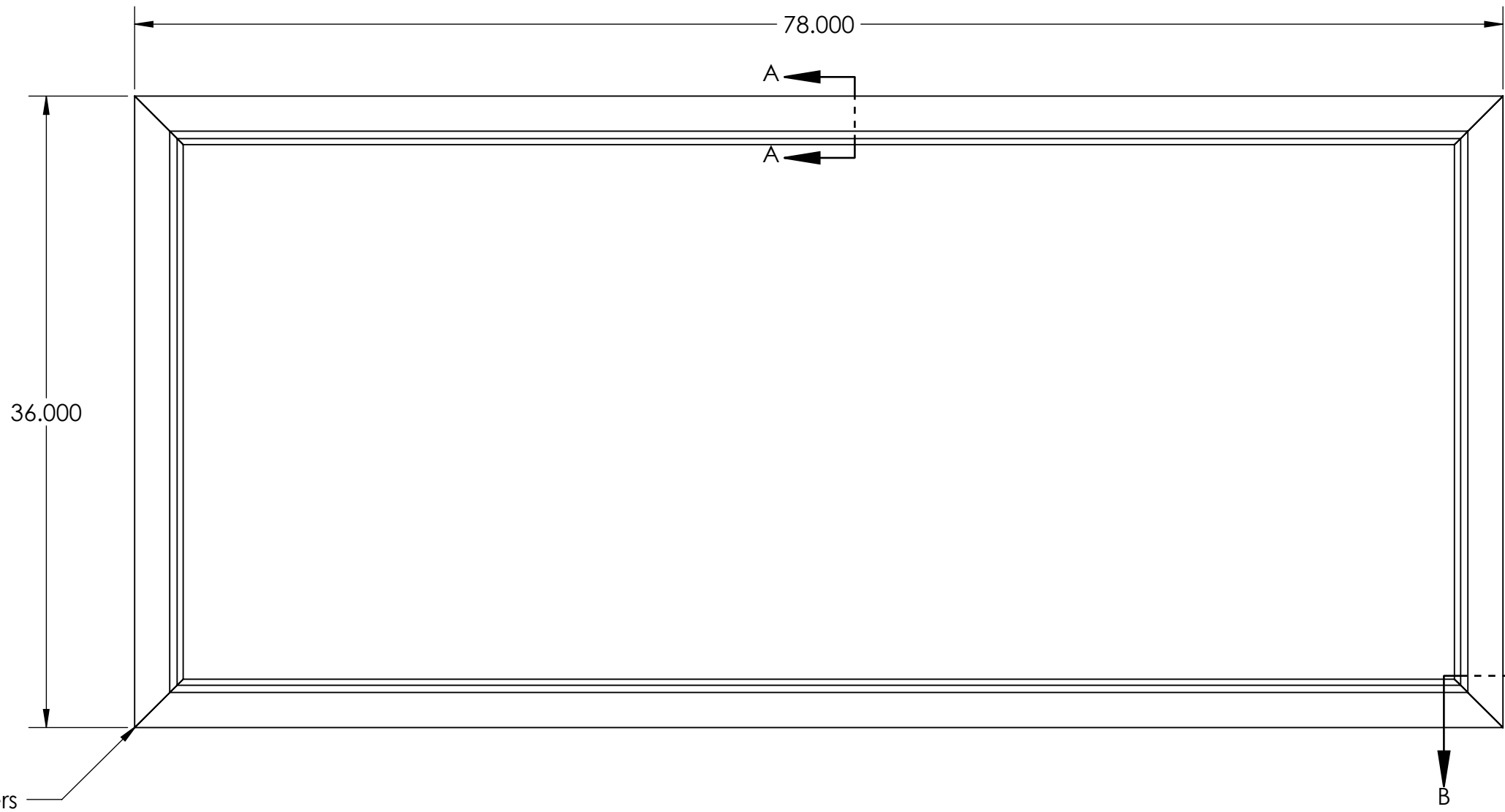
4

3

2

1

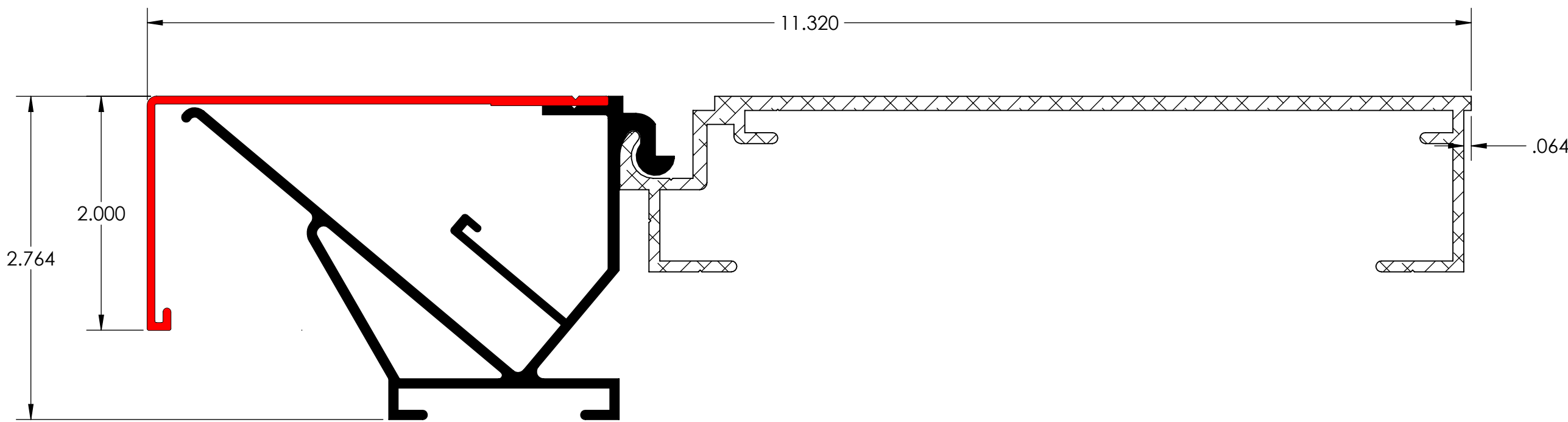
DIMS



CORNER ANGLE

Mitered Corners

FRONT VIEW



FRAME GUSSET

FLEX STANDARD FRAME

STANDARD TRIM

SECTION B-B
ESP-SF HINGED FRAME W/ ESP-FLEX STANDARD
FRAME AND STANDARD TRIM
SCALE 1 : 1

EXCELLART SIGN PRODUCTS, LLC. 1654 S. LONE ELM RD. OLATHE, KS 66061 (800) 627-9044 SALES@EXCELLART.COM WWW.EXCELLART.COM	UNLESS OTHERWISE SPECIFIED: DIMENSIONS ARE IN INCHES TOLERANCES FRAC = ± 1/32" X.XX = ±0.03 X.XXX = ±0.010 ANGULAR: MACH±1 BEND ±2	ASSEMBLY ID: ESPH-SF-FLEXSTSF	
		DESCRIPTION: ESP-SF HINGED W. FLEX AND STANDARD TRIM	
PROPRIETARY AND CONFIDENTIAL THE INFORMATION CONTAINED IN THIS DRAWING IS THE SOLE PROPERTY OF EXCELLART SIGN PRODUCTS, LLC. ANY REPRODUCTION IN PART OR AS A WHOLE WITHOUT THE WRITTEN PERMISSION OF EXCELLART SIGN PRODUCTS, LLC IS PROHIBITED.	DRAWN BY: EXCELLART	APPROVED BY:	
	SIZE C	Weight: 66.21 (lbs) Perimeter Length: 19 (ft)	REV -
	SCALE: 1:8	1/8/2024	SHEET 2 OF 3

4

3

2

1

A

A

4

3

2

1

BOM

ITEM NO.	PART NUMBER	DESCRIPTION	MATERIAL	QTY.
1	ESP1280466	ESP-SF HINGED FRAME	6063-T6	1
2	ESP1280425, ESP1280420	ESP-FLEX STANDARD AND HINGED FRAME	6063-T6	1
3	ESP1280430	ESP-STANDARD TRIM	6063-T6	1
4	ESP1280139	5 15/16" X 3" X 3" X 3/16" ANGLE	6063-T6	4
5	ESP1280307	1 3/4" X 3" X 3" X 3/16" GUSSET	6063-T6	4

NOTES:

- 1) ESP-SF HINGED KIT WITH ESP-FLEX STANDARD AND STANDARD TRIM CONSISTS OF QTY (4) ESP-SF HINGED FRAME PIECES, QTY (4) CORNER ANGLES, QTY (3) ESP-FLEX STANDARD FRAME PIECES, QTY (1) ESP-FLEX STANDARD HINGED FRAME PIECE, QTY (4) FRAME GUSSETS, AND QTY (4) STANDARD TRIM PIECES
- 2) ANGLES ARE USED TO GUIDE FRAME PIECES INTO POSITION
- 3) GUSSETS ARE USED TO GUIDE RETAINER PIECES INTO POSITION (IF APPLICABLE)
- 4) HINGED FRAME SECTION AND HINGED RETAINERS SHOWN TO BE ON TOP OF SIGN CABINET (IF APPLICABLE)
- 5) SELF DRILLING SCREWS / RIVETS / LOCK CYLINDERS ETC (BY OTHERS) TO SECURE RETAINERS AS NEEDED
- 6) ANGLES AND GUSSETS TYPICALLY WELDED TO FRAMING (BY OTHERS)
- 7) 6" - 8" CENTER TO CENTER SPACING RECOMMENDED FOR FLEX CLIPS
- 8) PIANO HINGES USED TO ALLOW IDS RETAINERS TO HINGE OPEN (IF APPLICABLE)
- 9) H1 / H1.5 RETAINERS ALLOW SECONDARY FACE TO BE MOUNTED BEHIND PRIMARY FACE
- 10) EXCELLART UL FILE NUMBER: E152309

ISO VIEW
(EXPLODED)

EXCELLART SIGN PRODUCTS, LLC. 1654 S. LONE ELM RD. OLATHE, KS 66061 (800) 627-9044 SALES@EXCELLART.COM WWW.EXCELLART.COM		UNLESS OTHERWISE SPECIFIED: DIMENSIONS ARE IN INCHES TOLERANCES FRAC = ± 1/32" XXX = ± 0.03 X.XXX = ± 0.010 ANGULAR: MACH ± 1° BEND ± 2°		ASSEMBLY ID: ESPH-SF-FLEXSTSF	
<small>THE INFORMATION CONTAINED IN THIS DRAWING IS THE SOLE PROPERTY OF EXCELLART SIGN PRODUCTS, LLC. ANY REPRODUCTION IN PART OR AS A WHOLE WITHOUT THE WRITTEN PERMISSION OF EXCELLART SIGN PRODUCTS, LLC IS PROHIBITED.</small>		<small>PROPRIETARY AND CONFIDENTIAL</small>		<small>DESCRIPTION:</small> ESP-SF HINGED W. FLEX AND STANDARD TRIM	
		<small>DRAWN BY:</small> EXCELLART		<small>APPROVED BY:</small> 	
<small>SCALE:</small> 1:8		<small>Weight:</small> 66.21 (lbs)		<small>Perimeter Length:</small> 19 (ft)	
<small>DATE:</small> 1/8/2024		<small>REV:</small> -		<small>SHEET 3 OF 3</small>	

4

3

2

1