

4

3

2

1

COVER

D

D

C

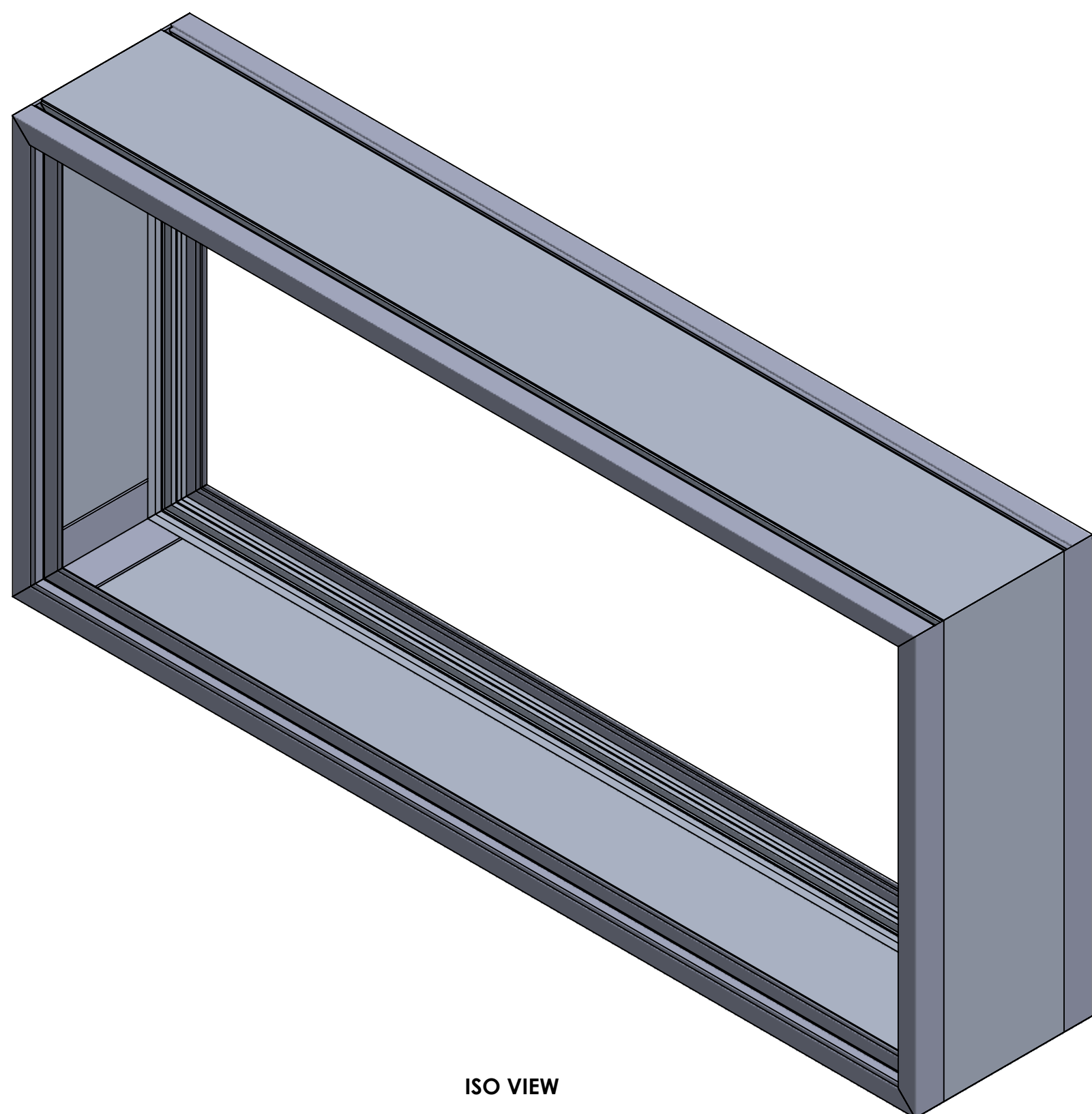
C

B

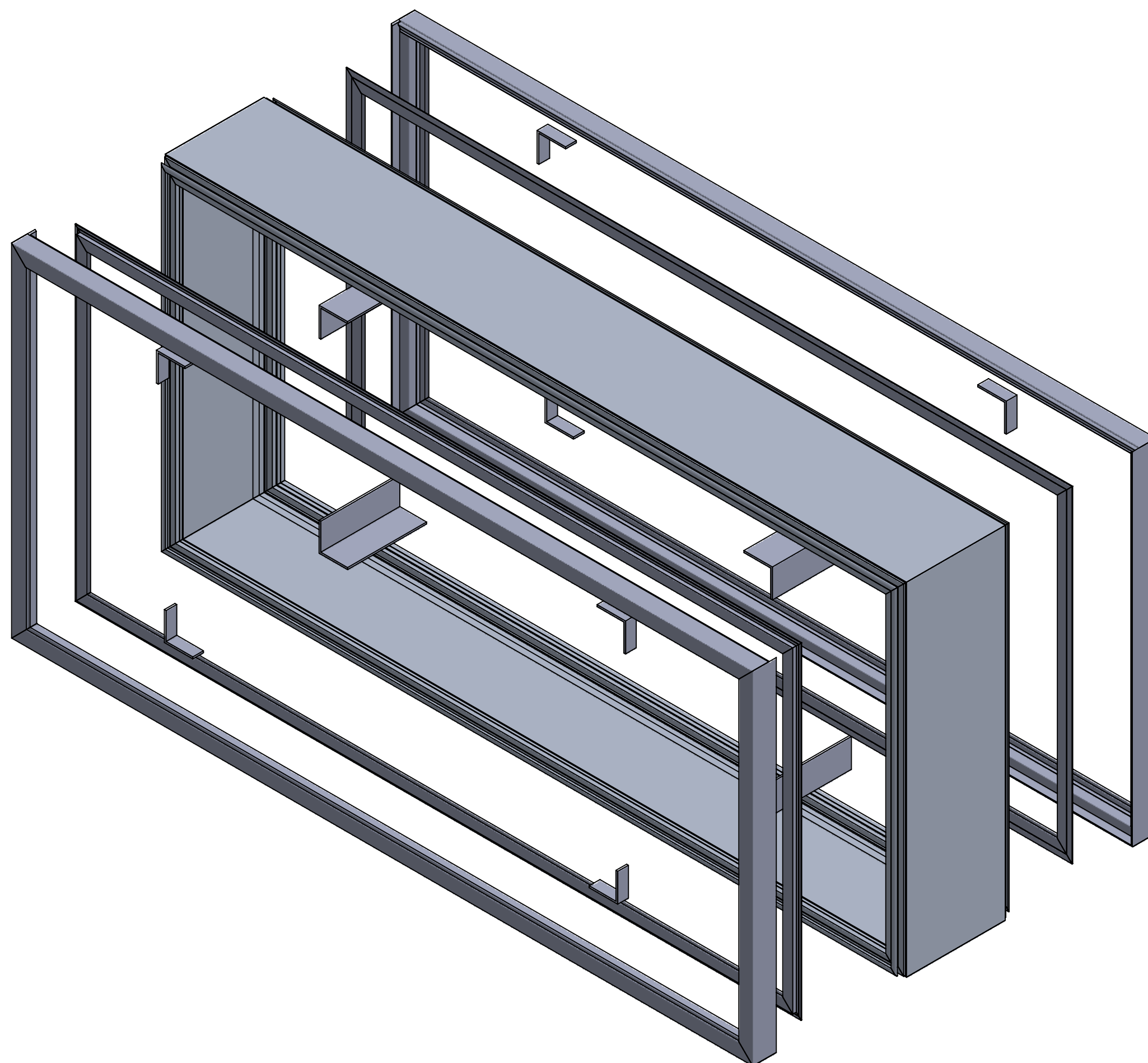
B

A

A



ISO VIEW



ISO VIEW (EXPLODED)

EXCELLART SIGN PRODUCTS, LLC. 1654 S. LONE ELM RD. OLATHE, KS 66061 (800) 627-9044 SALES@EXCELLART.COM WWW.EXCELLART.COM		UNLESS OTHERWISE SPECIFIED: DIMENSIONS ARE IN INCHES TOLERANCES FRAC = ± 1/32" X.XX = ± 0.03 X.XXX = ± 0.010 ANGULAR: MACH ± 1 BEND ± 2	ASSEMBLY ID: ESPH-12-FFH1DF DESCRIPTION: ESP-12 HINGED W. FF AND H1 RETAINERS
THE INFORMATION CONTAINED IN THIS DRAWING IS THE SOLE PROPERTY OF EXCELLART SIGN PRODUCTS, LLC. ANY REPRODUCTION IN PART OR AS A WHOLE WITHOUT THE WRITTEN PERMISSION OF EXCELLART SIGN PRODUCTS, LLC IS PROHIBITED.		PROPRIETARY AND CONFIDENTIAL	DRAWN BY: EXCELLART APPROVED BY:
SIZE C	Weight: 85.54 (lbs) Perimeter Length: 19 (ft)	REV -	SCALE: 1:8 1/8/2024 SHEET 1 OF 3

4

3

2

1

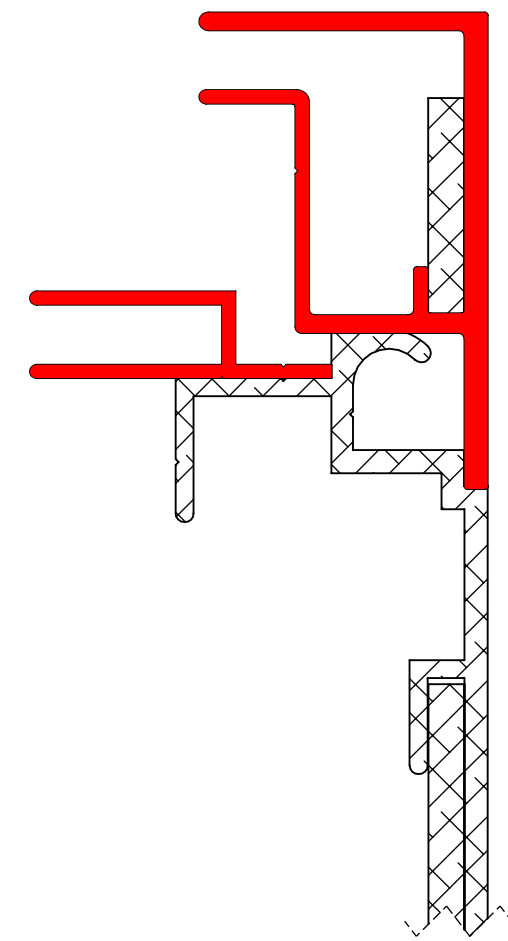
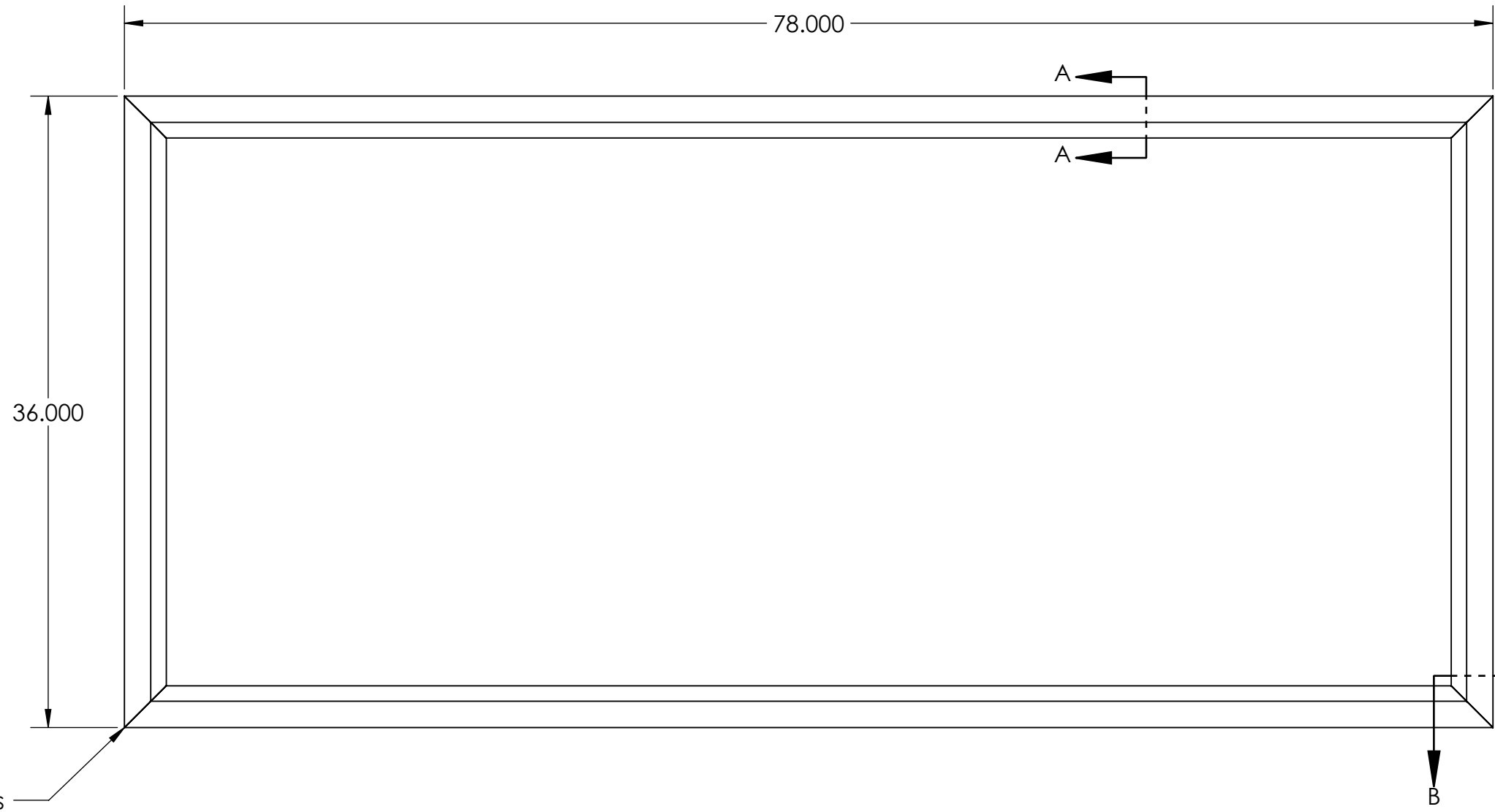
4

3

2

1

DIMS



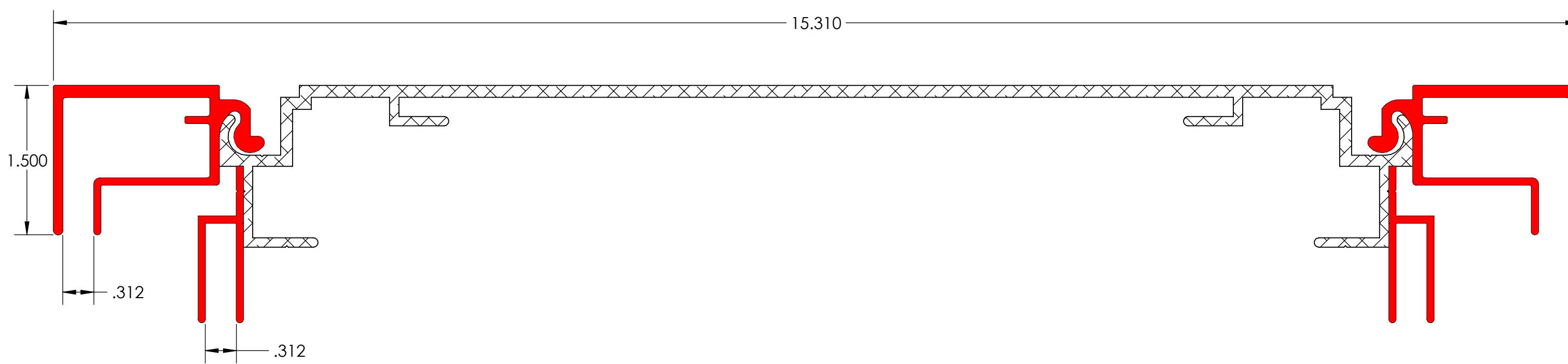
CORNER ANGLE

H-1 RETAINER

RETAINER GUSSET

RETAINER

SECTION B-B
ESP-12 FRAME WITH ESP-FF AND ESP-H1 RETAINERS
SCALE 1 : 1



SECTION A-A
ESP-12 FRAME WITH ESP-FF HINGED AND ESP-H1 RETAINERS
SCALE 1 : 1

EXCELLART SIGN PRODUCTS, LLC.		UNLESS OTHERWISE SPECIFIED: DIMENSIONS ARE IN INCHES TOLERANCES FRAC = ± 1/32" X.XX = ±0.03 X.XXX = ±0.010 ANGULAR: MACH±1 BEND ±2		ASSEMBLY ID: ESPH-12-FFH1DF	
1654 S. LONE ELM RD. OLATHE, KS 66061 (800) 627-9044 SALES@EXCELLART.COM WWW.EXCELLART.COM		THE INFORMATION CONTAINED IN THIS DRAWING IS THE SOLE PROPERTY OF EXCELLART SIGN PRODUCTS, LLC. ANY REPRODUCTION IN PART OR AS A WHOLE WITHOUT THE WRITTEN PERMISSION OF EXCELLART SIGN PRODUCTS, LLC IS PROHIBITED.		DESCRIPTION: ESP-12 HINGED W. FF AND H1 RETAINERS	
		DRAWN BY: EXCELLART		APPROVED BY:	
SIZE	Weight: 85.54 (lbs)	REV			
C	Perimeter Length: 19 (ft)	-			
SCALE: 1:8		1/8/2024	SHEET 2 OF 3		

4

3

2

1

A

A

4

3

2

1

BOM

ITEM NO.	PART NUMBER	DESCRIPTION	MATERIAL	QTY.
1	ESP1280202	ESP-12 HINGED FRAME	6063-T6	1
2	ESP1280224	ESP-FF HINGED RETAINER	6063-T6	2
3	ESP1280117	ESP-FF RETAINER	6063-T6	2
4	ESP1280201	ESP-H1 RETAINER	6063-T6	2
5	ESP1280206	8 5/16" X 3" X 3" X 3/16" ANGLE	6063-T6	4
6	ESP1280119	1 1/8" X 3" X 3" X 3/16" GUSSET	6063-T6	8

NOTES:

- 1) ESP-12 HINGED CHANGEABLE COPY KIT WITH ESP-FF AND ESP-H1 RETAINERS CONSISTS OF QTY (4) ESP-12 HINGED FRAME PIECES, QTY (4) CORNER ANGLES, QTY (6) ESP-FF RETAINER PIECES, QTY (2) ESP-FF HINGED RETAINER PIECES, QTY (8) RETAINER GUSSETS PIECES, AND QTY (8) ESP-H1 RETAINER PIECES
- 2) ANGLES ARE USED TO GUIDE FRAME PIECES INTO POSITION
- 3) GUSSETS ARE USED TO GUIDE RETAINER PIECES INTO POSITION (IF APPLICABLE)
- 4) HINGED FRAME SECTION AND HINGED RETAINERS SHOWN TO BE ON TOP OF SIGN CABINET (IF APPLICABLE)
- 5) SELF DRILLING SCREWS / RIVETS / LOCK CYLINDERS ETC (BY OTHERS) TO SECURE RETAINERS AS NEEDED
- 6) ANGLES AND GUSSETS TYPICALLY WELDED TO FRAMING (BY OTHERS)
- 7) 6" - 8" CENTER TO CENTER SPACING RECOMMENDED FOR FLEX CLIPS
- 8) PIANO HINGES USED TO ALLOW IDS RETAINERS TO HINGE OPEN (IF APPLICABLE)
- 9) H1 / H1.5 RETAINERS ALLOW SECONDARY FACE TO BE MOUNTED BEHIND PRIMARY FACE
- 10) EXCELLART UL FILE NUMBER: E152309

ISO VIEW
(EXPLODED)

EXCELLART SIGN PRODUCTS, LLC. 1654 S. LONE ELM RD. OLATHE, KS 66061 (800) 627-9044 SALES@EXCELLART.COM WWW.EXCELLART.COM		UNLESS OTHERWISE SPECIFIED: DIMENSIONS ARE IN INCHES TOLERANCES FRAC = ± 1/32" X.XX = ± 0.03 X.XXX = ± 0.010 ANGULAR: MACH ± 1° BEND ± 2°		ASSEMBLY ID: ESPH-12-FFH1DF	
				DESCRIPTION: ESP-12 HINGED W. FF AND H1 RETAINERS	
		DRAWN BY: EXCELLART		APPROVED BY:	
THE INFORMATION CONTAINED IN THIS DRAWING IS THE SOLE PROPERTY OF EXCELLART SIGN PRODUCTS, LLC. ANY REPRODUCTION IN PART OR AS A WHOLE WITHOUT THE WRITTEN PERMISSION OF EXCELLART SIGN PRODUCTS, LLC IS PROHIBITED.		SIZE C		Weight: 85.54 (lbs) REV Perimeter Length: 19 (ft) -	
		SCALE: 1:8		1/8/2024 SHEET 3 OF 3	

4

3

2

1