

2

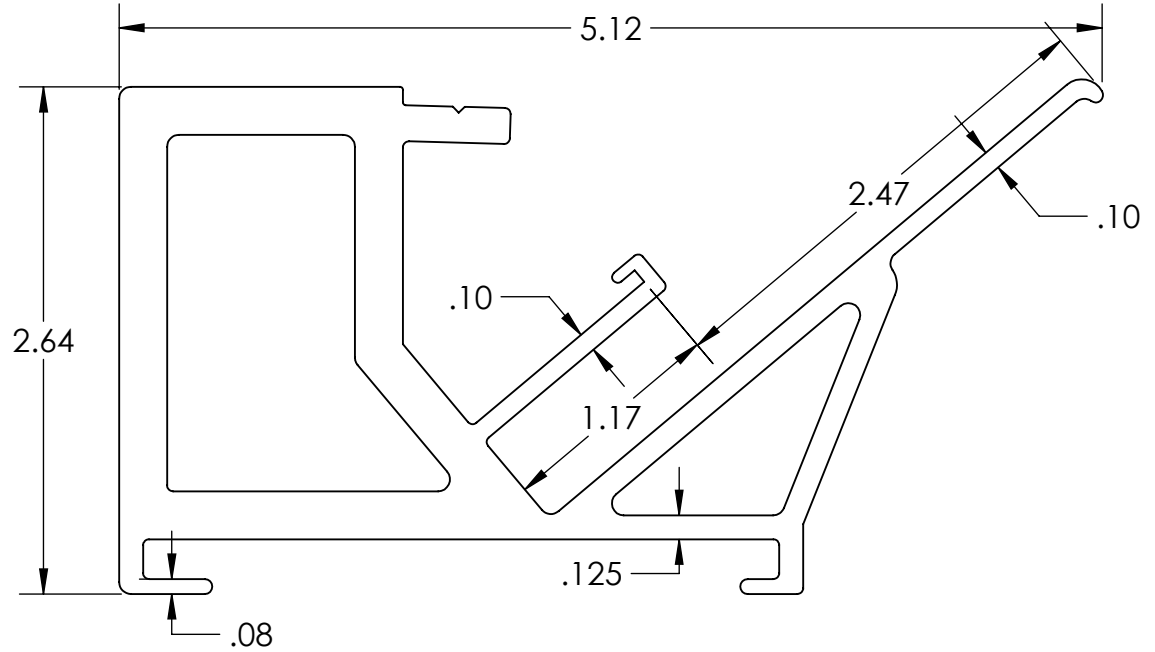
1

NOTES:

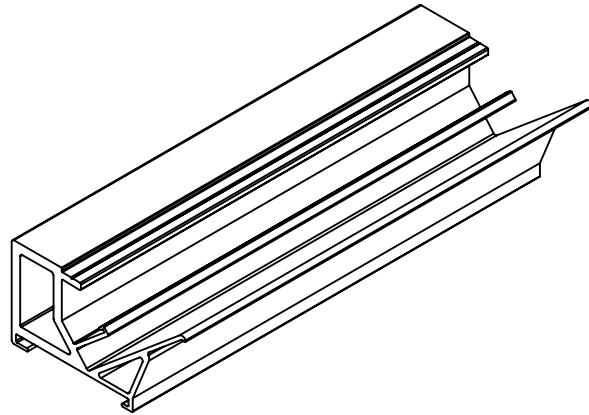
- 1) TYP WALL THICKNESS = 0.250" EXCEPT AS NOTED
- 2) 1' LENGTH SHOWN FOR WEIGHT CALCULATIONS

B

B



FRONT VIEW



ISO VIEW
SCALE 1:4

A

A

EXCELLART SIGN PRODUCTS, LLC.

1654 S. LONE ELM RD.
OLATHE, KS 66061

(800) 627-9044
SALES@EXCELLART.COM
WWW.EXCELLART.COM



UNLESS OTHERWISE SPECIFIED:

DIMENSIONS ARE IN INCHES
TOLERANCES
FRAC = ±1/32"
X.XX = ±0.03
X.XXX = ±0.010
ANGULAR: MACH±1 BEND ±2

PROPRIETARY AND CONFIDENTIAL

THE INFORMATION CONTAINED IN THIS DRAWING IS THE SOLE PROPERTY OF EXCELLART SIGN PRODUCTS, LLC. ANY REPRODUCTION IN PART OR AS A WHOLE WITHOUT THE WRITTEN PERMISSION OF EXCELLART SIGN PRODUCTS, LLC IS PROHIBITED.

TITLE: ESP-FLEX STRUCTURAL FRAME

DESCRIPTION:
ESP1280422

MATERIAL:
6063-T6

DRAWN BY:
EXCELLART

APPROVED BY:

SIZE Weight: 3.55
A pound(s) per foot

REV
-

SCALE: 1:1 12/22/2023 SHEET 1 OF 1

2

1