

2

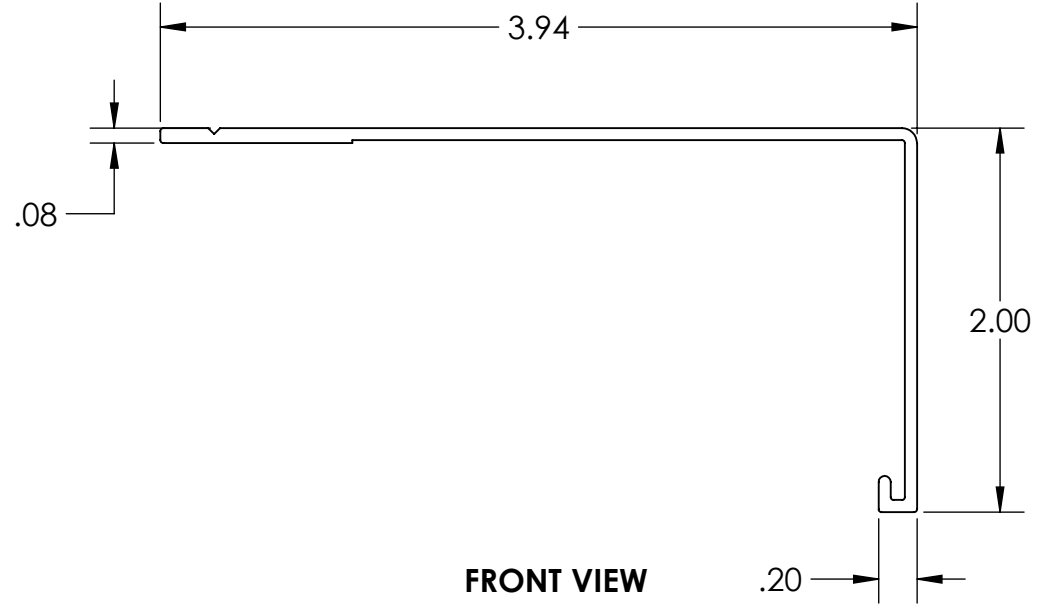
1

NOTES:

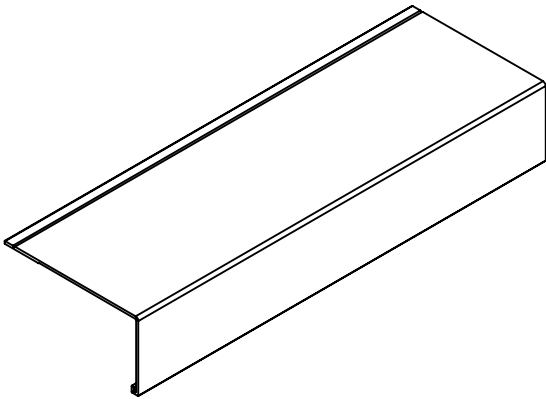
- 1) TYP WALL THICKNESS = 0.06" EXCEPT AS NOTED
- 2) 1' LENGTH SHOWN FOR WEIGHT CALCULATIONS

B

B



FRONT VIEW



ISO VIEW
SCALE 1:4

A

A

EXCELLART SIGN PRODUCTS, LLC. 1654 S. LONE ELM RD. OLATHE, KS 66061 (800) 627-9044 SALES@EXCELLART.COM WWW.EXCELLART.COM		UNLESS OTHERWISE SPECIFIED: DIMENSIONS ARE IN INCHES <u>TOLERANCES</u> FRAC = ±1/32" X.XX = ±0.03 X.XXX = ±0.010 ANGULAR: MACH±1 BEND ±2		TITLE: ESP-FLEX STANDARD TRIM	
				DESCRIPTION: ESP1280430	
				MATERIAL: 6063-T6	
		DRAWN BY: EXCELLART		APPROVED BY:	
		PROPRIETARY AND CONFIDENTIAL THE INFORMATION CONTAINED IN THIS DRAWING IS THE SOLE PROPERTY OF EXCELLART SIGN PRODUCTS, LLC. ANY REPRODUCTION IN PART OR AS A WHOLE WITHOUT THE WRITTEN PERMISSION OF EXCELLART SIGN PRODUCTS, LLC IS PROHIBITED.		SIZE A	
				Weight: 0.47 pound(s) per foot	
				REV -	
		SCALE: 1:1		12/22/2023	
				SHEET 1 OF 1	

2

1