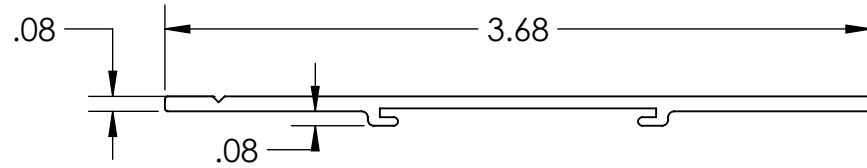


2

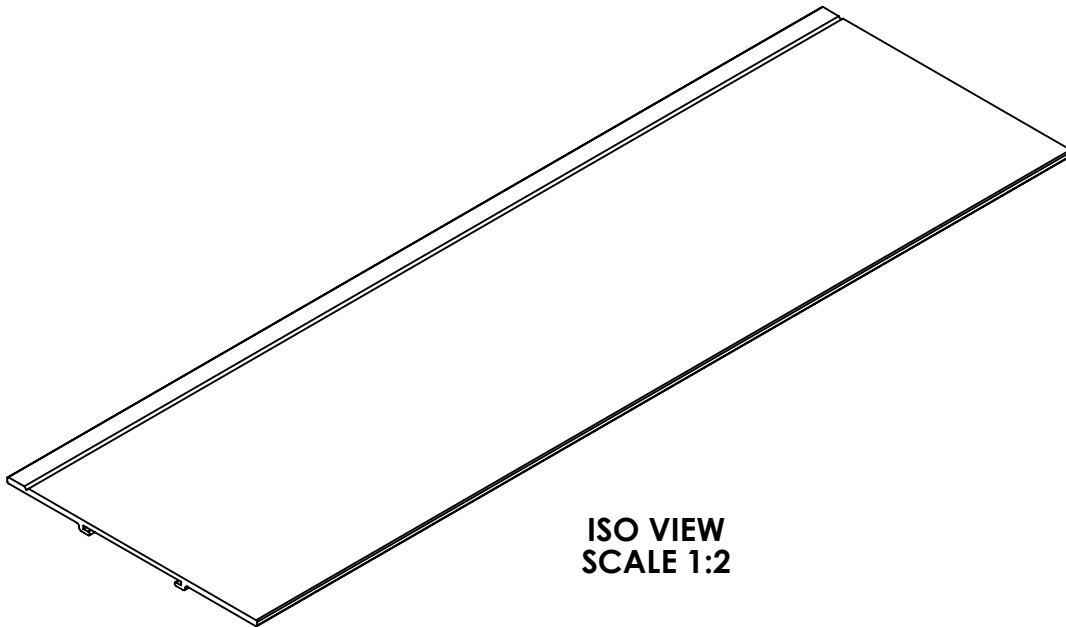
1

NOTES:

- 1) TYP WALL THICKNESS = 0.093" EXCEPT AS NOTED
- 2) 1' LENGTH SHOWN FOR WEIGHT CALCULATIONS



FRONT VIEW



ISO VIEW  
SCALE 1:2

**EXCELLART SIGN PRODUCTS, LLC.**

1654 S. LONE ELM RD.  
OLATHE, KS 66061

(800) 627-9044  
SALES@EXCELLART.COM  
WWW.EXCELLART.COM



UNLESS OTHERWISE SPECIFIED:

DIMENSIONS ARE IN INCHES  
TOLERANCES  
 FRAC = ±1/32"  
 X.XX = ±0.03  
 X.XXX = ±0.010  
 ANGULAR: MACH±1 BEND ±2

**PROPRIETARY AND CONFIDENTIAL**

THE INFORMATION CONTAINED IN THIS DRAWING IS THE SOLE PROPERTY OF EXCELLART SIGN PRODUCTS, LLC. ANY REPRODUCTION IN PART OR AS A WHOLE WITHOUT THE WRITTEN PERMISSION OF EXCELLART SIGN PRODUCTS, LLC IS PROHIBITED.

TITLE: **ESP-FLEX BLEED TRIM COVER**

DESCRIPTION:  
**ESP1280415**

MATERIAL:  
**6063-T6**

DRAWN BY:  
**EXCELLART**

APPROVED BY:

SIZE **A** Weight: **0.33**  
 pound(s) per foot

REV  
-

SCALE: 1:1

12/22/2023

SHEET 1 OF 1

2

1

B

B

A

A