

2

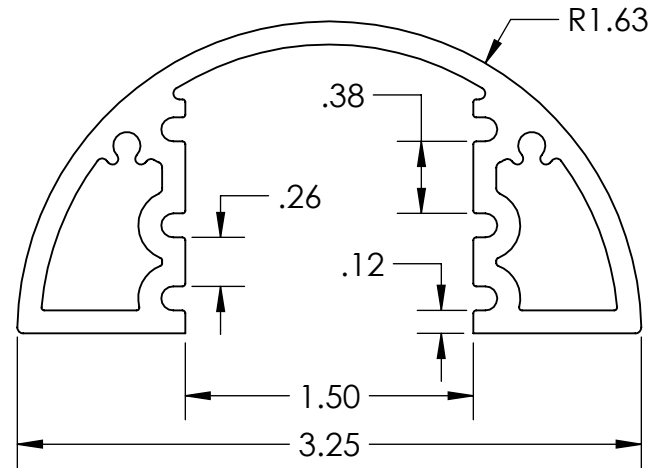
1

NOTES:

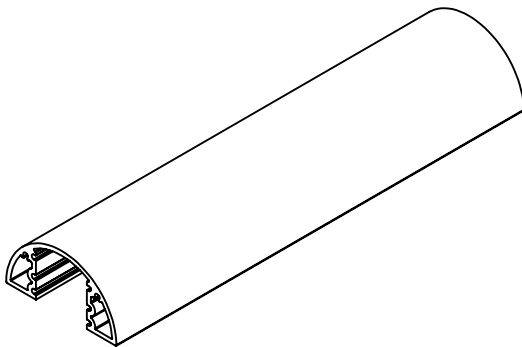
- 1) TYP WALL THICKNESS = 0.12" EXCEPT AS NOTED
- 2) 1' LENGTH SHOWN FOR WEIGHT CALCULATIONS

B

B




FRONT VIEW



ISO VIEW
SCALE 1:4

A

A

| | | | | |
|---|---|---------------------|---|--|
| <p>EXCELLART SIGN PRODUCTS, LLC.</p> <p>1654 S. LONE ELM RD. OLATHE, KS 66061</p> <p>(800) 627-9044 SALES@EXCELLART.COM WWW.EXCELLART.COM</p>  | <p>UNLESS OTHERWISE SPECIFIED: DIMENSIONS ARE IN INCHES <u>TOLERANCES</u> FRAC = ±1/32" X.XX = ±0.03 X.XXX = ±0.010 ANGULAR: MACH±1 BEND ±2</p> | | <p>TITLE: ESP-3.25 RADIUS POST</p> | |
| | <p>PROPRIETARY AND CONFIDENTIAL</p> <p>THE INFORMATION CONTAINED IN THIS DRAWING IS THE SOLE PROPERTY OF EXCELLART SIGN PRODUCTS, LLC. ANY REPRODUCTION IN PART OR AS A WHOLE WITHOUT THE WRITTEN PERMISSION OF EXCELLART SIGN PRODUCTS, LLC IS PROHIBITED.</p> | | <p>DESCRIPTION: ESP1380301</p> | |
| | <p>SIZE A</p> | | <p>MATERIAL: 6063-T6</p> | |
| | <p>SCALE: 1:1</p> | | <p>APPROVED BY:</p> | |
| <p>Weight: 1.35 pound(s) per foot</p> | | <p>REV -</p> | | |
| <p>1/19/2024</p> | | <p>SHEET 1 OF 1</p> | | |

2

1