

4

3

2

1

COVER

D

D

C

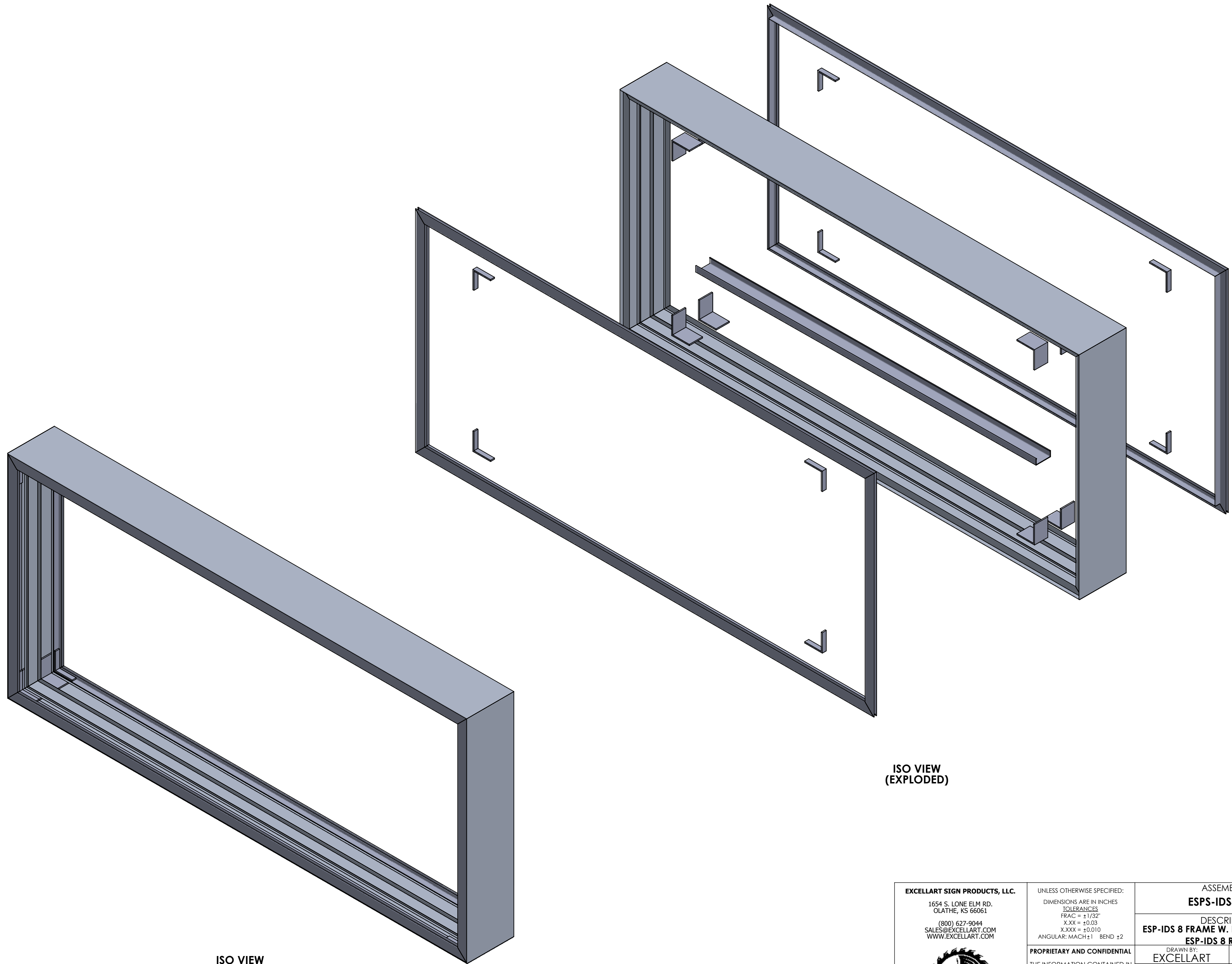
C

B

B


A

A



ISO VIEW (EXPLODED)

ISO VIEW

<b>EXCELLART SIGN PRODUCTS, LLC.</b> 1654 S. LONE ELM RD. OLATHE, KS 66061 (800) 627-9044 SALES@EXCELLART.COM WWW.EXCELLART.COM		UNLESS OTHERWISE SPECIFIED: DIMENSIONS ARE IN INCHES TOLERANCES FRAC = ± 1/32" X.XX = ±0.03 X.XXX = ±0.010 ANGULAR: MACH±1 BEND ±2		ASSEMBLY ID: <b>ESPS-IDS8-IDSDF</b>	
 <p>THE INFORMATION CONTAINED IN THIS DRAWING IS THE SOLE PROPERTY OF EXCELLART SIGN PRODUCTS, LLC. ANY REPRODUCTION IN PART OR AS A WHOLE WITHOUT THE WRITTEN PERMISSION OF EXCELLART SIGN PRODUCTS, LLC IS PROHIBITED.</p>		PROPRIETARY AND CONFIDENTIAL		DESCRIPTION: <b>ESP-IDS 8 FRAME W. IDS RETAINERS AND ESP-IDS 8 RACEWAY</b>	
		DRAWN BY: EXCELLART		APPROVED BY:	
SIZE	Weight: <b>44.62</b> (lbs)	REV			
<b>C</b>	Perimeter Length: <b>19 (ft)</b>	-			
SCALE: 1:8	1/25/2024	SHEET 1 OF 3			

4

3

2

1

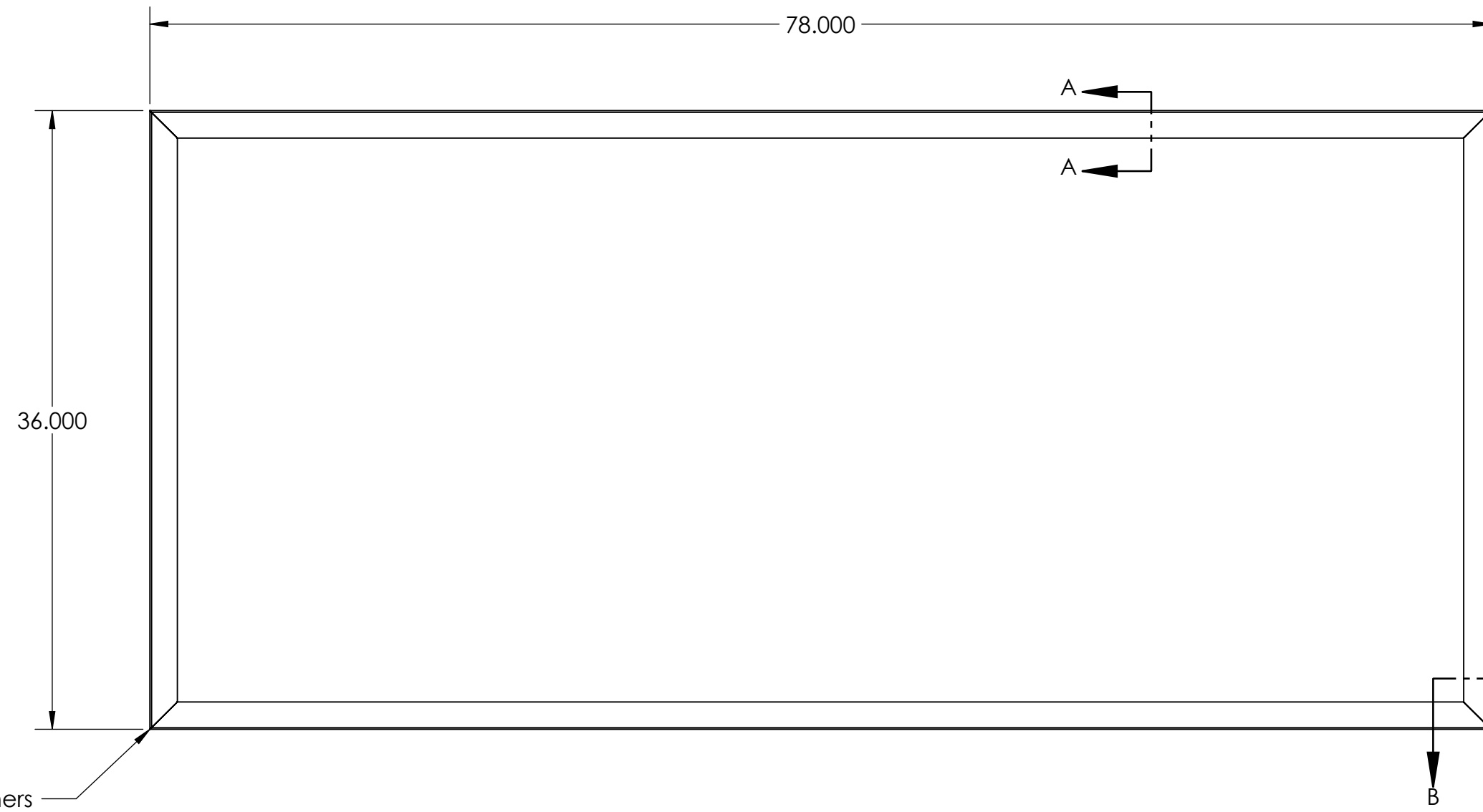
4

3

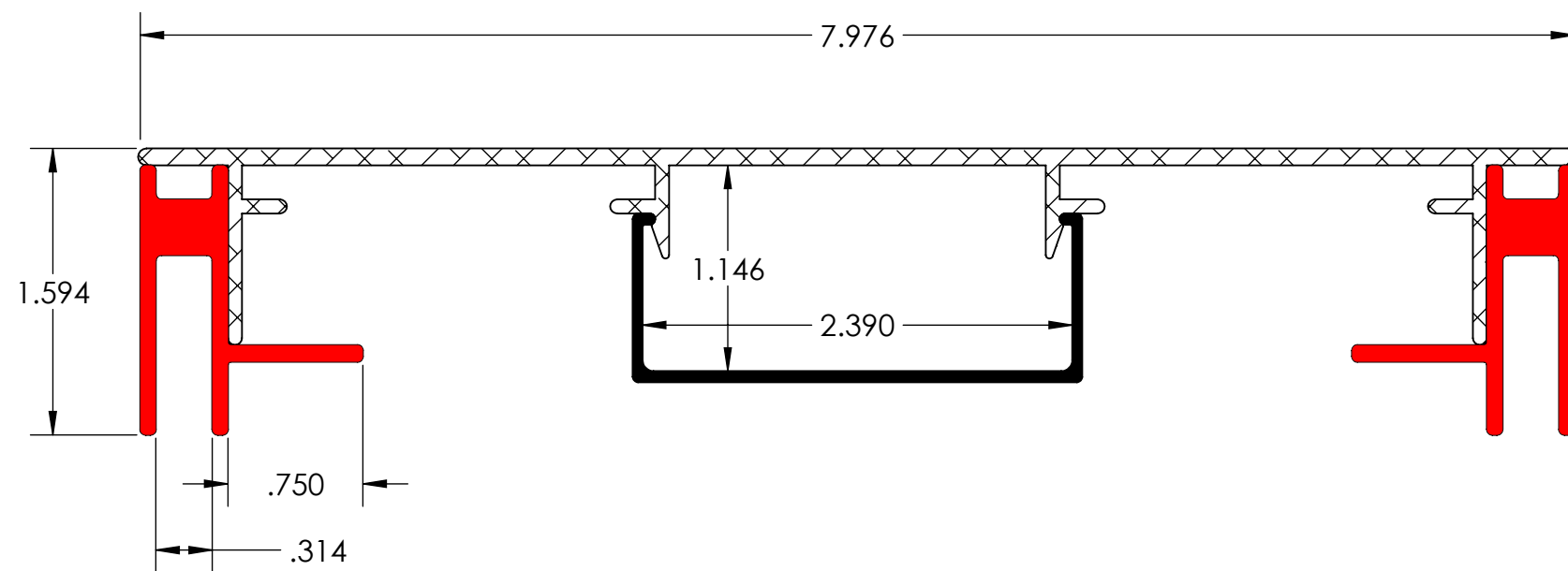
2

1

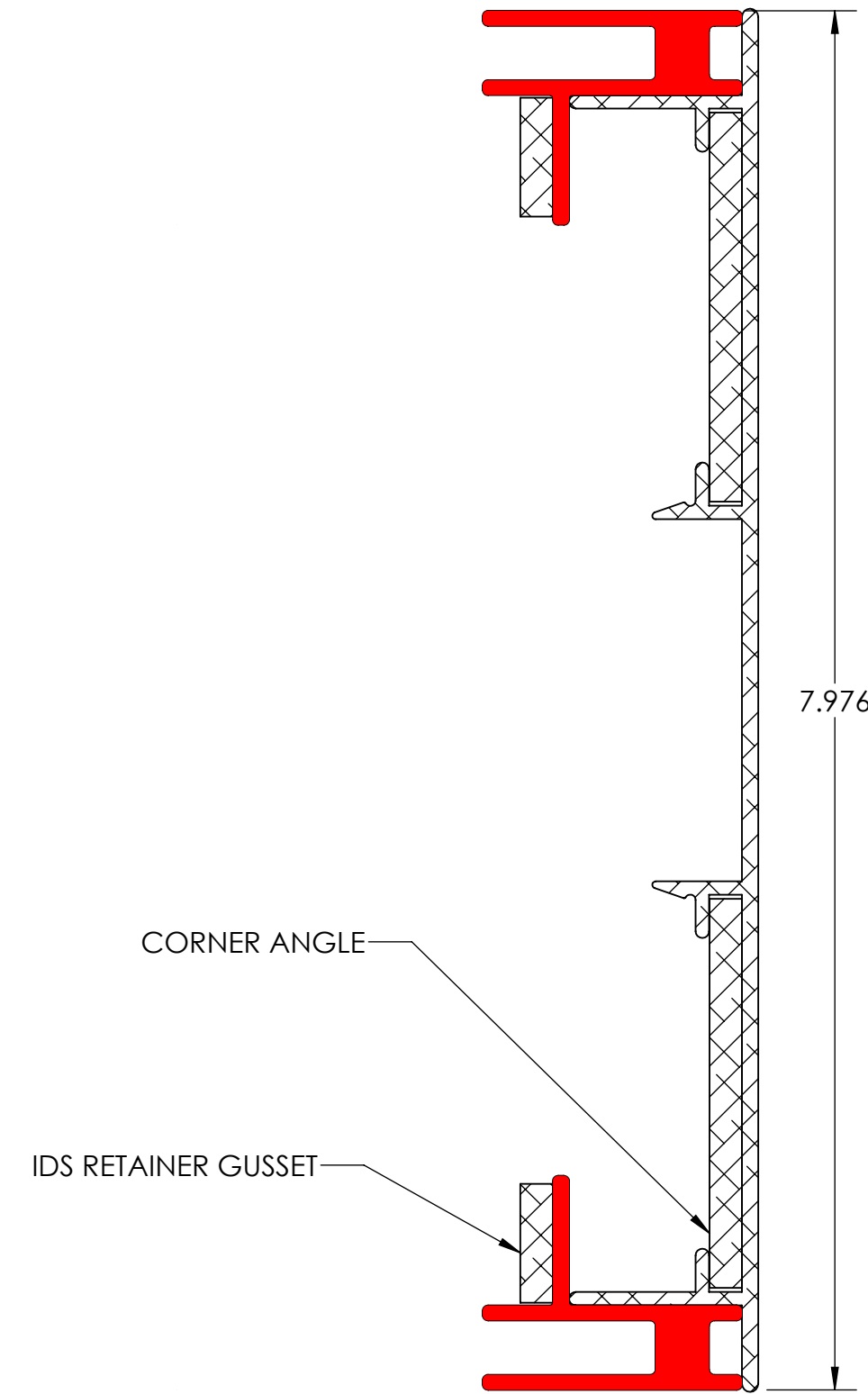
DIMS



FRONT VIEW



SECTION A-A  
ESP-IDS 8 FRAME WITH IDS RETAINERS AND  
IDS 8 RACEWAY  
SCALE 1 : 1



SECTION B-B  
ESP-IDS 8 FRAME WITH IDS RETAINERS  
SCALE 1 : 1

<b>EXCELLART SIGN PRODUCTS, LLC.</b> 1654 S. LONE ELM RD. OLATHE, KS 66061 (800) 627-9044 SALES@EXCELLART.COM WWW.EXCELLART.COM	UNLESS OTHERWISE SPECIFIED: DIMENSIONS ARE IN INCHES TOLERANCES FRAC = ± 1/32" X.XX = ±0.03 X.XXX = ±0.010 ANGULAR: MACH±1 BEND ±2	ASSEMBLY ID: <b>ESPS-IDS8-IDSDF</b>	
		DESCRIPTION: <b>ESP-IDS 8 FRAME W. IDS RETAINERS AND          ESP-IDS 8 RACEWAY</b>	
THE INFORMATION CONTAINED IN THIS DRAWING IS THE SOLE PROPERTY OF EXCELLART SIGN PRODUCTS, LLC. ANY REPRODUCTION IN PART OR AS A WHOLE WITHOUT THE WRITTEN PERMISSION OF EXCELLART SIGN PRODUCTS, LLC IS PROHIBITED.	PROPRIETARY AND CONFIDENTIAL	DRAWN BY: <b>EXCELLART</b>	APPROVED BY:
	SIZE <b>C</b>	Weight: <b>44.62</b> (lbs)	REV
	SCALE: 1:8	1/25/2024	SHEET 2 OF 3

4

3

2

1

A

A

B

B

C

C

D

D

4

3

2

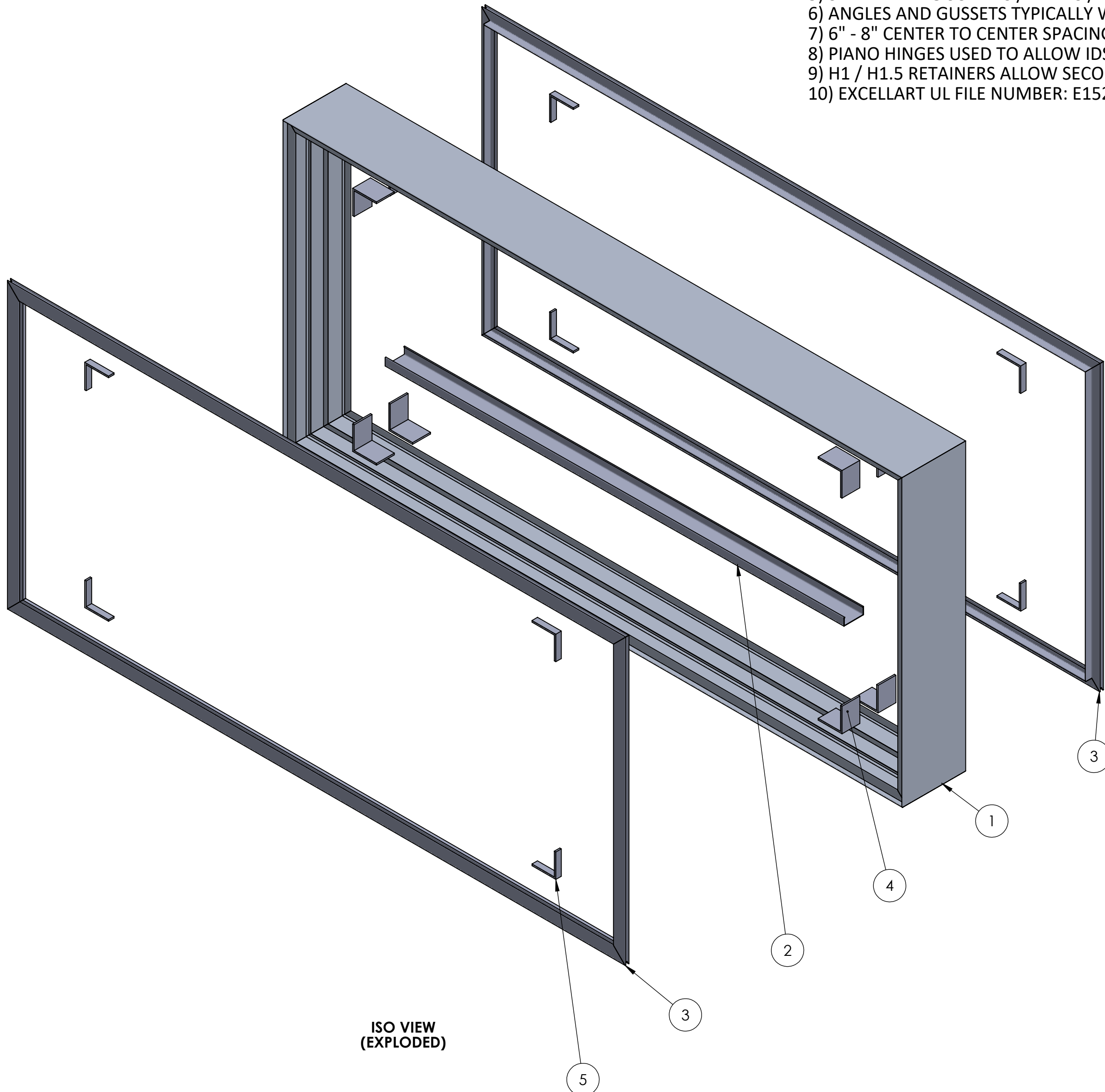
1

BOM

ITEM NO.	PART NUMBER	DESCRIPTION	MATERIAL	QTY.
1	ESP1280901	ESP-IDS 8 FRAME	6063-T6	1
2	ESP1280905	ESP-IDS 8 RACEWAY	6063-T6	1
3	ESP1280906	ESP-IDS RETAINER	6063-T6	2
4	ESP1280903	2 1/4" X 3" X 3" X 3/16" ANGLE	6063-T6	8
5	ESP1280904	1 1/16" X 3" X 3" X 3/16" GUSSET	6063-T6	8

NOTES:

- 1) ESP-IDS 8 KIT WITH IDS RETAINERS AND ESP-IDS 8 RACEWAY CONSISTS OF QTY (4) ESP-IDS 8 FRAME PIECES, QTY (8) CORNER ANGLES, QTY (8) ESP-IDS RETAINER PIECES, QTY (8) ESP-IDS RETAINER GUSSETS, AND QTY (1) ESP-IDS 8 RACEWAY SECTION
- 2) ANGLES ARE USED TO GUIDE FRAME PIECES INTO POSITION
- 3) GUSSETS ARE USED TO GUIDE RETAINER PIECES INTO POSITION (IF APPLICABLE)
- 4) HINGED FRAME SECTION AND HINGED RETAINERS SHOWN TO BE ON TOP OF SIGN CABINET (IF APPLICABLE)
- 5) SELF DRILLING SCREWS / RIVETS / LOCK CYLINDERS ETC (BY OTHERS) TO SECURE RETAINERS AS NEEDED
- 6) ANGLES AND GUSSETS TYPICALLY WELDED TO FRAMING (BY OTHERS)
- 7) 6" - 8" CENTER TO CENTER SPACING RECOMMENDED FOR FLEX CLIPS
- 8) PIANO HINGES USED TO ALLOW IDS RETAINERS TO HINGE OPEN (IF APPLICABLE)
- 9) H1 / H1.5 RETAINERS ALLOW SECONDARY FACE TO BE MOUNTED BEHIND PRIMARY FACE
- 10) EXCELLART UL FILE NUMBER: E152309



ISO VIEW (EXPLODED)

<b>EXCELLART SIGN PRODUCTS, LLC.</b> 1654 S. LONE ELM RD. OLATHE, KS 66061 (800) 627-9044 SALES@EXCELLART.COM WWW.EXCELLART.COM	UNLESS OTHERWISE SPECIFIED: DIMENSIONS ARE IN INCHES TOLERANCES: FRAC = ± 1/32" X.XX = ± 0.03 X.XXX = ± 0.010 ANGULAR: MACH ± 1° BEND ± 2°	ASSEMBLY ID: <b>ESPS-IDS8-IDSDF</b>	
		DESCRIPTION: <b>ESP-IDS 8 FRAME W. IDS RETAINERS AND ESP-IDS 8 RACEWAY</b>	
<b>EXCELLART</b> <small>THE INFORMATION CONTAINED IN THIS DRAWING IS THE SOLE PROPERTY OF EXCELLART SIGN PRODUCTS, LLC. ANY REPRODUCTION IN PART OR AS A WHOLE WITHOUT THE WRITTEN PERMISSION OF EXCELLART SIGN PRODUCTS, LLC IS PROHIBITED.</small>	PROPRIETARY AND CONFIDENTIAL	DRAWN BY: <b>EXCELLART</b>	APPROVED BY:
	SIZE: <b>C</b>	Weight: <b>44.62</b> (lbs)	REV: -
	SCALE: 1:8	1/25/2024	SHEET 3 OF 3

4

3

2

1

D

C

B

A