

2

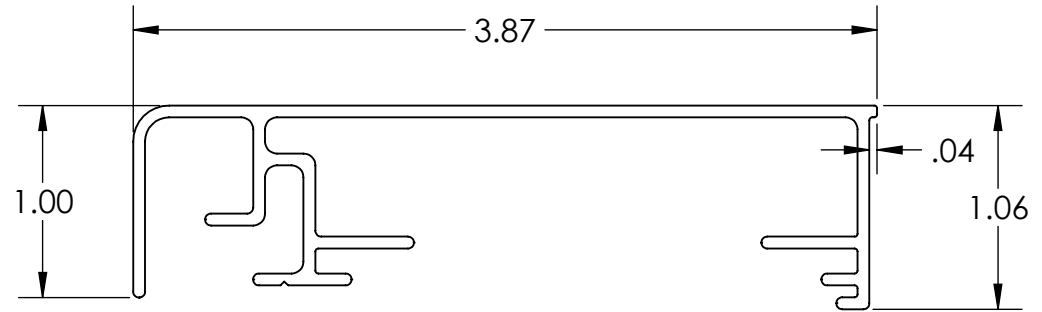
1

NOTES:

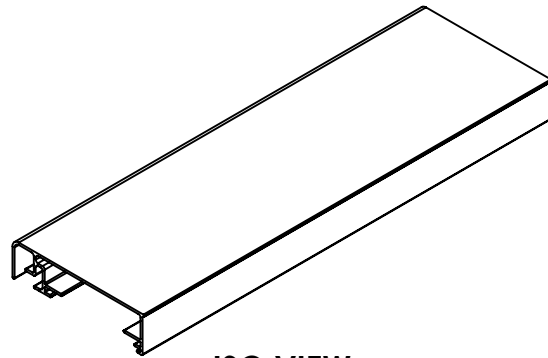
- 1) TYP WALL THICKNESS = 0.062" EXCEPT AS NOTED
- 2) 1' LENGTH SHOWN FOR WEIGHT CALCULATIONS

B

B




FRONT VIEW



ISO VIEW  
SCALE 1:4

A

A

|   |   |                  |  |  |
|---|---|------------------|--|--|
| <p><b>EXCELLART SIGN PRODUCTS, LLC.</b></p> <p>1654 S. LONE ELM RD.<br/>OLATHE, KS 66061</p> <p>(800) 627-9044<br/>SALES@EXCELLART.COM<br/>WWW.EXCELLART.COM</p>  | <p>UNLESS OTHERWISE SPECIFIED:</p> <p>DIMENSIONS ARE IN INCHES</p> <p><u>TOLERANCES</u></p> <p>FRAC = ±1/32"</p> <p>X.XX = ±0.03</p> <p>X.XXX = ±0.010</p> <p>ANGULAR: MACH±1 BEND ±2</p>   |                  | <p>TITLE:<br/><b>ESP-4RN FRAME</b></p>           |  |
|   | <p>PROPRIETARY AND CONFIDENTIAL</p> <p>THE INFORMATION CONTAINED IN THIS DRAWING IS THE SOLE PROPERTY OF EXCELLART SIGN PRODUCTS, LLC. ANY REPRODUCTION IN PART OR AS A WHOLE WITHOUT THE WRITTEN PERMISSION OF EXCELLART SIGN PRODUCTS, LLC IS PROHIBITED.</p> |                  | <p>DESCRIPTION:<br/><b>ESP1290201</b></p>        |  |
|   | <p>SIZE<br/><b>A</b></p>  |                  | <p>MATERIAL:<br/><b>6063-T6</b></p>              |  |
|   | <p>SCALE: 1:1</p>   |                  | <p>WEIGHT: <b>0.67</b><br/>pound(s) per foot</p> |  |
| <p>2/5/2024</p>   |   | <p>REV<br/>-</p> |  |  |
| <p>SHEET 1 OF 1</p>   |   |                  |  |  |

2

1