

4

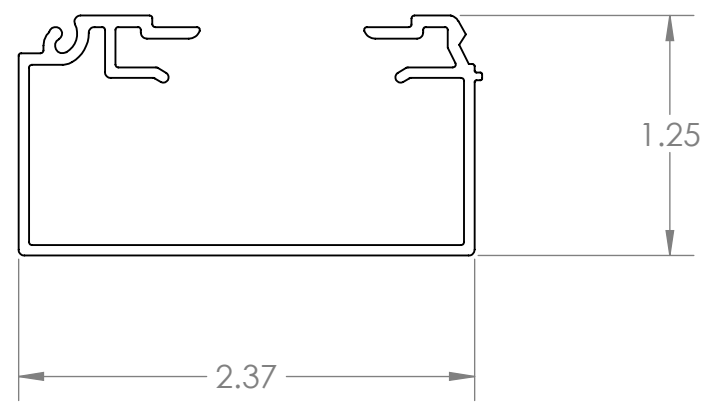
3

2

1

B

B



A

A

PROPRIETARY AND CONFIDENTIAL
 THE INFORMATION CONTAINED IN THIS DRAWING IS THE SOLE PROPERTY OF <INSERT COMPANY NAME HERE>. ANY REPRODUCTION IN PART OR AS A WHOLE WITHOUT THE WRITTEN PERMISSION OF <INSERT COMPANY NAME HERE> IS PROHIBITED.

		UNLESS OTHERWISE SPECIFIED:		NAME	DATE		
		DIMENSIONS ARE IN INCHES	DRAWN			TITLE:	
		TOLERANCES:	CHECKED			EXCELLART	
		FRACTIONAL ±	ENG APPR.			SIGN PRODUCTS, LLC	
		ANGULAR: MACH ± BEND ±	MFG APPR.			SIZE	DWG. NO.
		TWO PLACE DECIMAL ±	Q.A.			REV	
		THREE PLACE DECIMAL ±	COMMENTS:			LAMB SOCKET RACEWAY	
		INTERPRET GEOMETRIC TOLERANCING PER:				SCALE: 1:2	WEIGHT:
		MATERIAL					SHEET 1 OF 1
NEXT ASSY	USED ON	FINISH					
APPLICATION		DO NOT SCALE DRAWING					

4

3

2

1