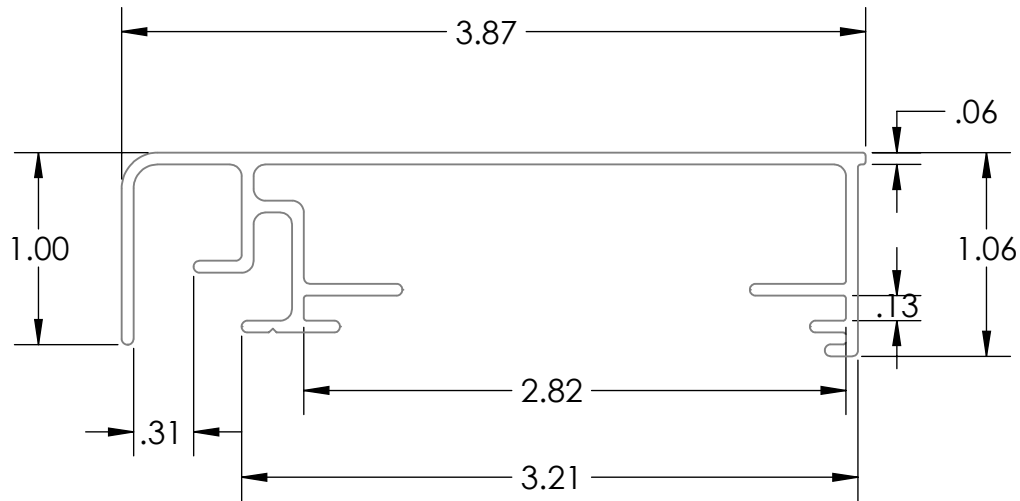


2

1

B

B



A

A

PROPRIETARY AND CONFIDENTIAL
 THE INFORMATION CONTAINED IN THIS
 DRAWING IS THE SOLE PROPERTY OF
 EXCELLART SIGN PRODUCTS, LLC. ANY
 REPRODUCTION IN PART OR AS A WHOLE
 WITHOUT THE WRITTEN PERMISSION OF
 <INSERT COMPANY NAME HERE> IS
 PROHIBITED.

EST. WT/FT	.685		UNLESS OTHERWISE SPECIFIED:		NAME	DATE	P/N: 1290201		
			DIMENSIONS ARE IN INCHES	DRAWN			TITLE:		
			TOLERANCES:	CHECKED			EXCELLART		
			FRACTIONAL ±	ENG APPR.			SIGN PRODUCTS, LLC		
			ANGULAR: MACH ± BEND ±	MFG APPR.			SIZE	DWG. NO.	REV
			TWO PLACE DECIMAL ±	Q.A.			A EC-4RN FRAME		
			THREE PLACE DECIMAL ±	COMMENTS:			SCALE: 1:2		SHEET 1 OF 1
			INTERPRET GEOMETRIC TOLERANCING PER:						
			MATERIAL						
			6063-T6 ALUMINUM						
NEXT ASSY		USED ON	FINISH						
			MILL FINISH						
		APPLICATION	DO NOT SCALE DRAWING						

2

1