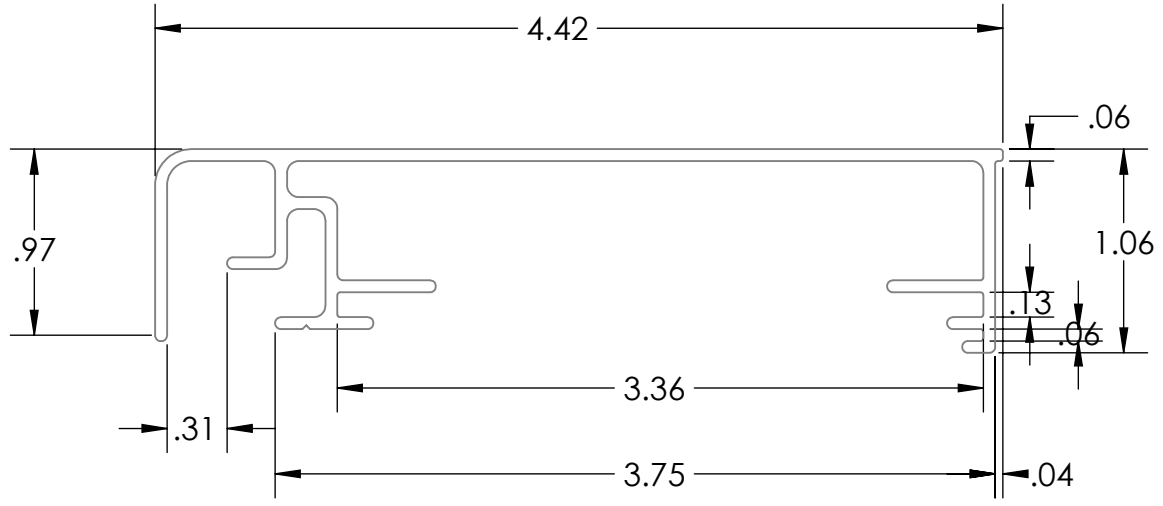


2

1

B

B



MATES WITH:

- 1280497 - EC-4 FRAME
- 1280496 - EC-4 RETAINER

A

A

EST. WT/FT	.727	UNLESS OTHERWISE SPECIFIED:	NAME	DATE
		DIMENSIONS ARE IN INCHES	DRAWN	
		TOLERANCES:	CHECKED	
		FRACTIONAL ±	ENG APPR.	
		ANGULAR: MACH ± BEND ±	MFG APPR.	
		TWO PLACE DECIMAL ±	Q.A.	
		THREE PLACE DECIMAL ±	COMMENTS:	
		INTERPRET GEOMETRIC TOLERANCING PER:		
		MATERIAL		
		6063-T6 ALUMINUM		
		FINISH		
		MILL FINISH		
NEXT ASSY	USED ON	DO NOT SCALE DRAWING		
	APPLICATION			

P/N: 1280498

TITLE:

**EXCELLART**  
SIGN PRODUCTS, LLC

SIZE	DWG. NO.	REV
A	EC-4R FRAME	

SCALE: 1:2

SHEET 1 OF 1

PROPRIETARY AND CONFIDENTIAL  
THE INFORMATION CONTAINED IN THIS DRAWING IS THE SOLE PROPERTY OF EXCELLART SIGN PRODUCTS, LLC. ANY REPRODUCTION IN PART OR AS A WHOLE WITHOUT THE WRITTEN PERMISSION OF <INSERT COMPANY NAME HERE> IS PROHIBITED.

2

1