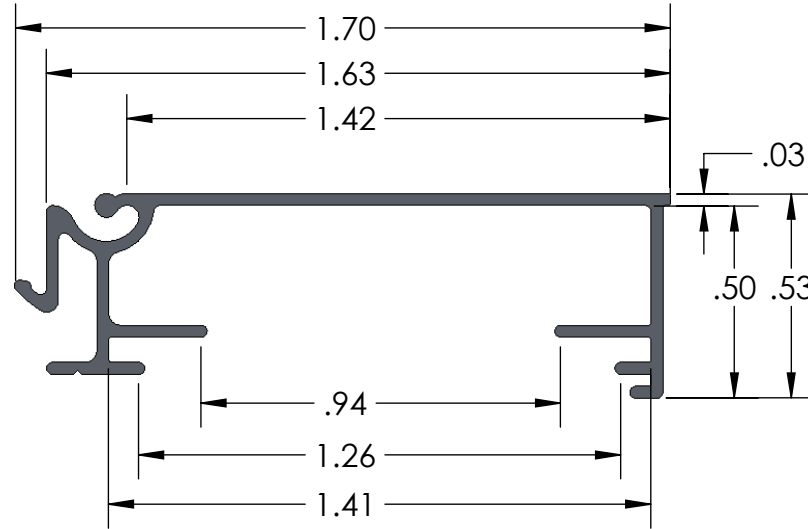
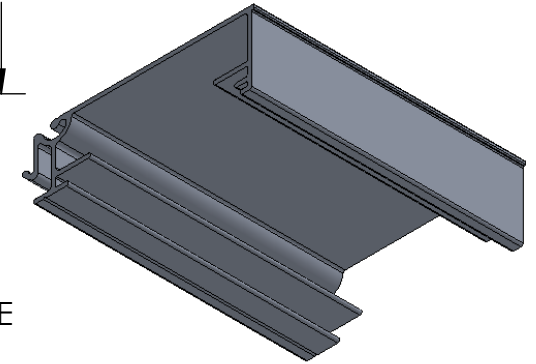
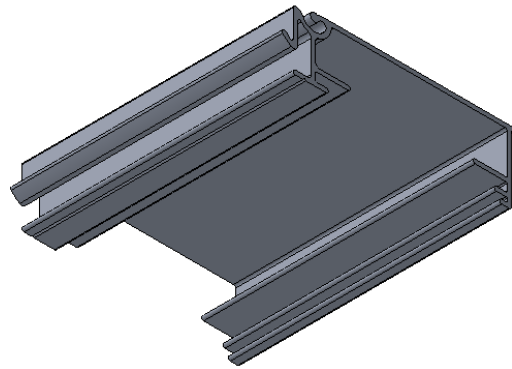
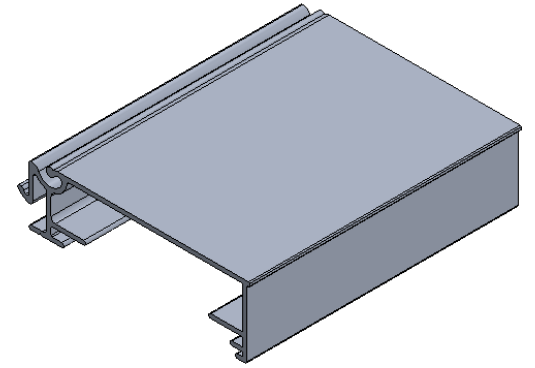
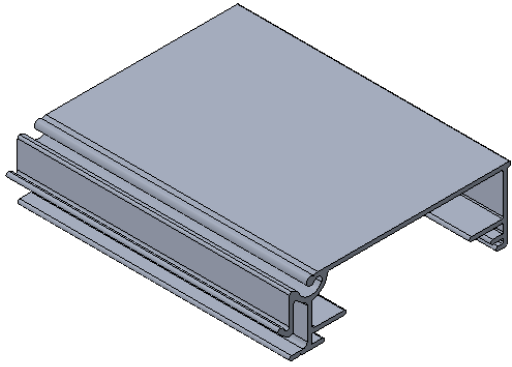


2

1

B

B



MATES WITH:

- 1290201 - EC-4RN NARROWLINE FRAME
- 1280496 - NARROWLINE RETAINER
- 1280452 - CORNER ANGLE

A

A

EST. WT/FT	.577		UNLESS OTHERWISE SPECIFIED:		NAME	DATE	P/N: 1290202		
			DIMENSIONS ARE IN INCHES	DRAWN			TITLE:		
			TOLERANCES:	CHECKED			EXCELLART		
			FRACTIONAL ±	ENG APPR.			SIGN PRODUCTS, LLC		
			ANGULAR: MACH ± BEND ±	MFG APPR.			SIZE	DWG. NO.	REV
			TWO PLACE DECIMAL ±	Q.A.			A	EC-4N FRAME	
			THREE PLACE DECIMAL ±	COMMENTS:			SCALE: 1:1		SHEET 1 OF 1
			INTERPRET GEOMETRIC TOLERANCING PER:						
			MATERIAL						
			6063-T6 ALUMINUM						
			FINISH						
			MILL FINISH						
			DO NOT SCALE DRAWING						
		NEXT ASSY	USED ON						
		APPLICATION							

PROPRIETARY AND CONFIDENTIAL
 THE INFORMATION CONTAINED IN THIS DRAWING IS THE SOLE PROPERTY OF EXCELLART SIGN PRODUCTS, LLC. ANY REPRODUCTION IN PART OR AS A WHOLE WITHOUT THE WRITTEN PERMISSION OF <INSERT COMPANY NAME HERE> IS PROHIBITED.

2

1