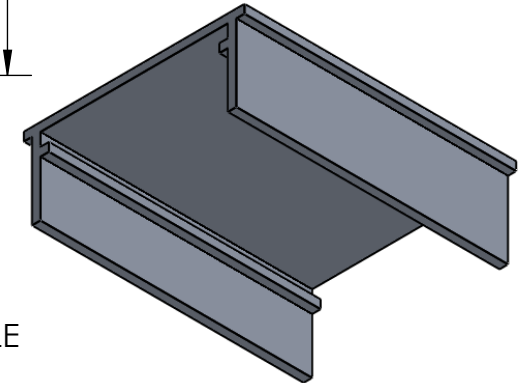
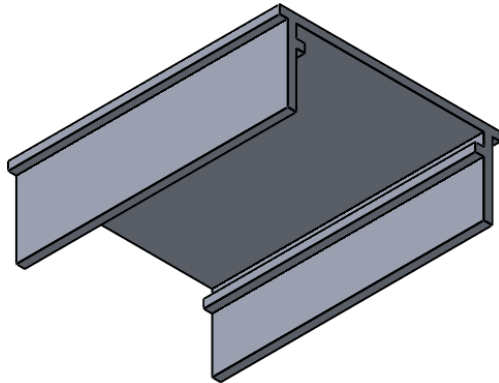
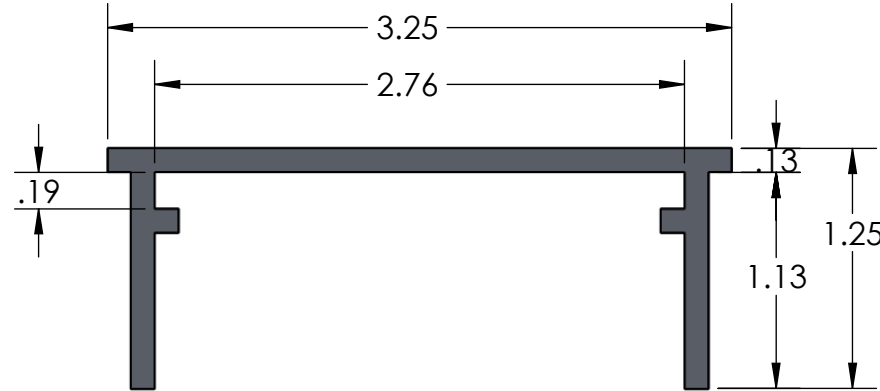
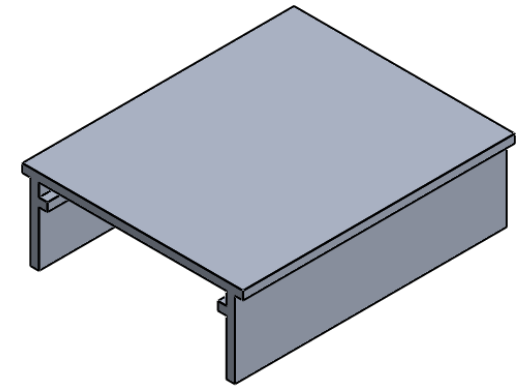
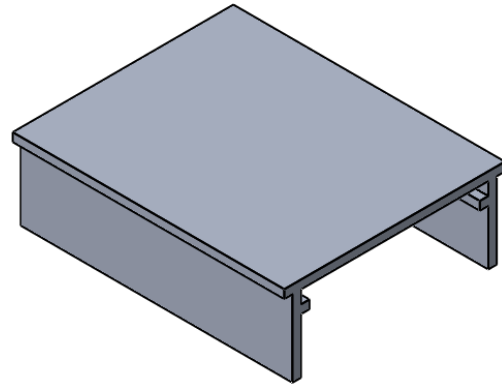


2

1

B

B



MATES WITH:

- 1380301 - RADIUS POST
- 1380302 - RECT POST
- 1380101 - REVEAL CONNECTOR
- 1280310 - BLEED FRAME CORNER ANGLE

A

A

EST. WT/FT	1.27	UNLESS OTHERWISE SPECIFIED:		NAME	DATE
		DIMENSIONS ARE IN INCHES		DRAWN	
		TOLERANCES:		CHECKED	
		FRACTIONAL ±		ENG APPR.	
		ANGULAR: MACH ± BEND ±		MFG APPR.	
		TWO PLACE DECIMAL ±		Q.A.	
		THREE PLACE DECIMAL ±		COMMENTS:	
		INTERPRET GEOMETRIC TOLERANCING PER:			
		MATERIAL			
		6063-T6 ALUMINUM			
NEXT ASSY	USED ON	FINISH			
		MILL FINISH			
APPLICATION		DO NOT SCALE DRAWING			

P/N: 1380303

TITLE:

EXCELLART
SIGN PRODUCTS, LLC

SIZE	DWG. NO.	REV
A	EC-3.25 BLEED FRAME	

SCALE: 1:2	SHEET 1 OF 1
------------	--------------

PROPRIETARY AND CONFIDENTIAL
THE INFORMATION CONTAINED IN THIS DRAWING IS THE SOLE PROPERTY OF EXCELLART SIGN PRODUCTS, LLC. ANY REPRODUCTION IN PART OR AS A WHOLE WITHOUT THE WRITTEN PERMISSION OF <INSERT COMPANY NAME HERE> IS PROHIBITED.

2

1